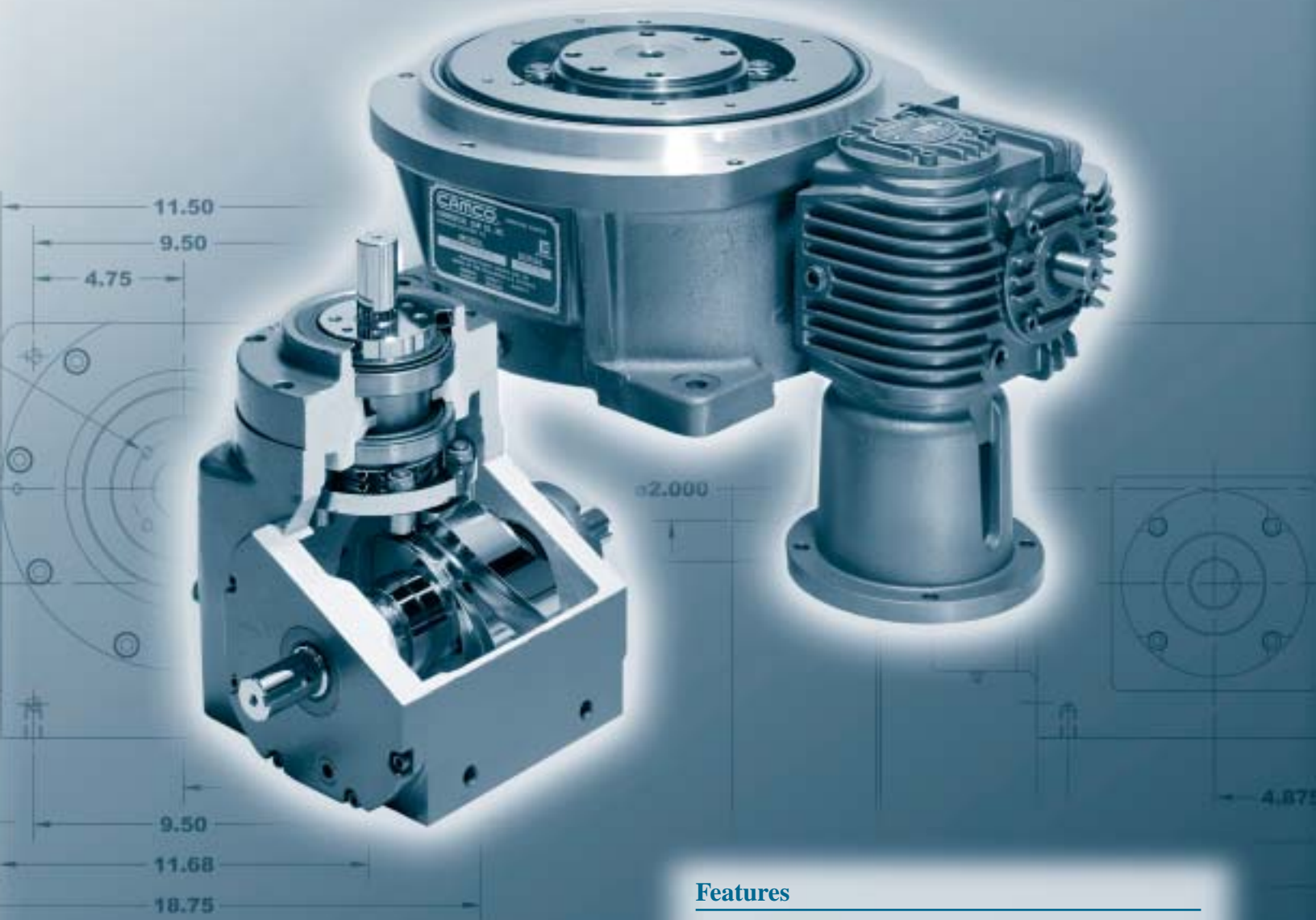


Right Angle Index Drives

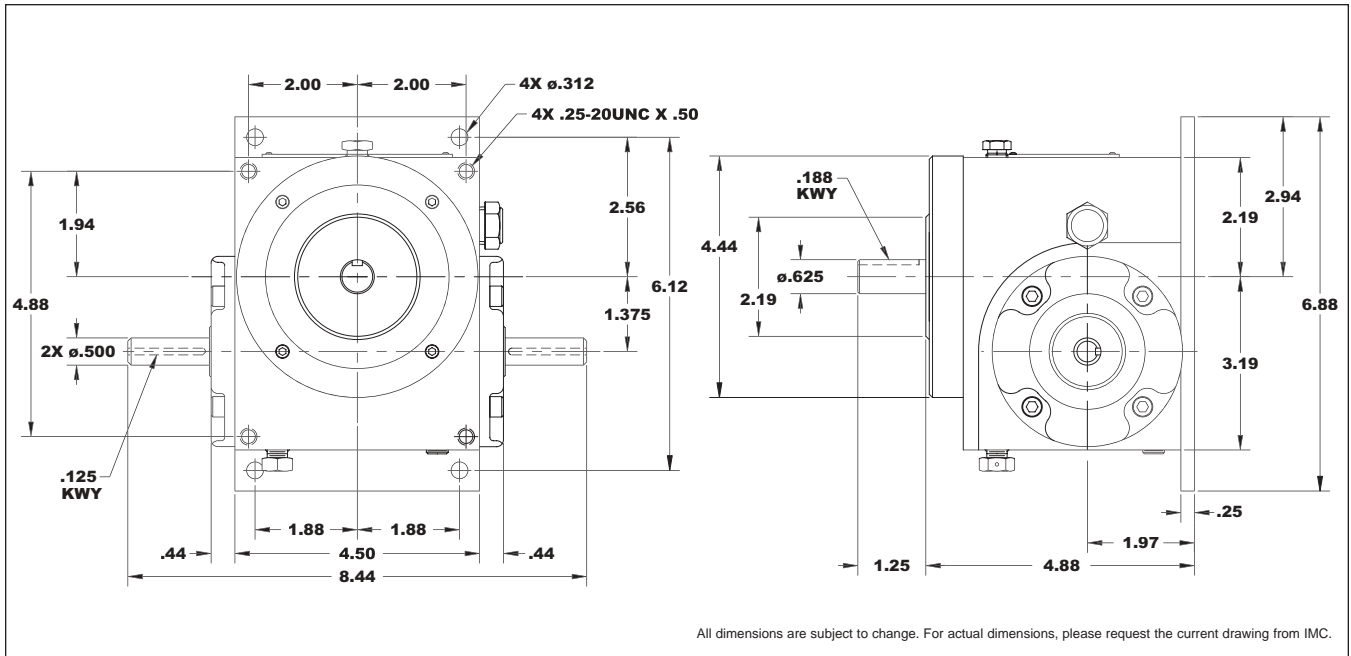


Features

IMC Right Angle Index Drives are ideal for dial applications or actuation-type applications such as driving a linkage or in-line conveyor. Right Angle Index Drives feature:

- ◆ Fixed Center Distance between input and output
- ◆ Hardened, ground barrel cam
- ◆ Flanged-Shaft or Dial Output
- ◆ Compact Design requiring minimum use of floor space.
- ◆ Preloaded "rib-centered" design with Modified Sine motion provides smooth acceleration and deceleration with precision positioning.
- ◆ Universal mounting available on RA models.
- ◆ Center Thru-Hole in RAD models facilitates passage of electrical wiring, pneumatic lines or mechanical linkages.

301RA



301RA Indexer Capacities					
Stops (S)	Index Period (β)	Motion	B ₁₀ Capacity at 50 RPM (in-lb)	Internal Inertia (lb-in ²)	Model
3	270	ms	276	2	301RA3H14-270
	180	msc.33	331	2	301RA3H14-180 MSC.33
4	270	ms	326	2	301RA4H14-270
	180	msc.33	412	2	301RA4H14-180 MSC.33
6	270	ms	351	2	301RA6H14-270
	180	ms	382	2	301RA6H14-180
	120	ms	390	2	301RA6H14-120
8	270	ms	438	2	301RA8H14-270
	180	ms	473	2	301RA8H14-180
	120	ms	481	2	301RA8H14-120
12	270	ms	538	3	301RA12H14-270
	180	ms	597	3	301RA12H14-180
16	270	ms	546	2	301RA16H14-270 II
	180	ms	576	2	301RA16H14-180 II
	120	ms	220	2	301RA16H14-120 II
24	270	ms	632	3	301RA24H14-270 II
	180	ms	705	3	301RA24H14-180 II
	120	ms	773	3	301RA24H14-120 II

Other Motions (stops and index periods) available. Contact your IMC sales representative for more information.

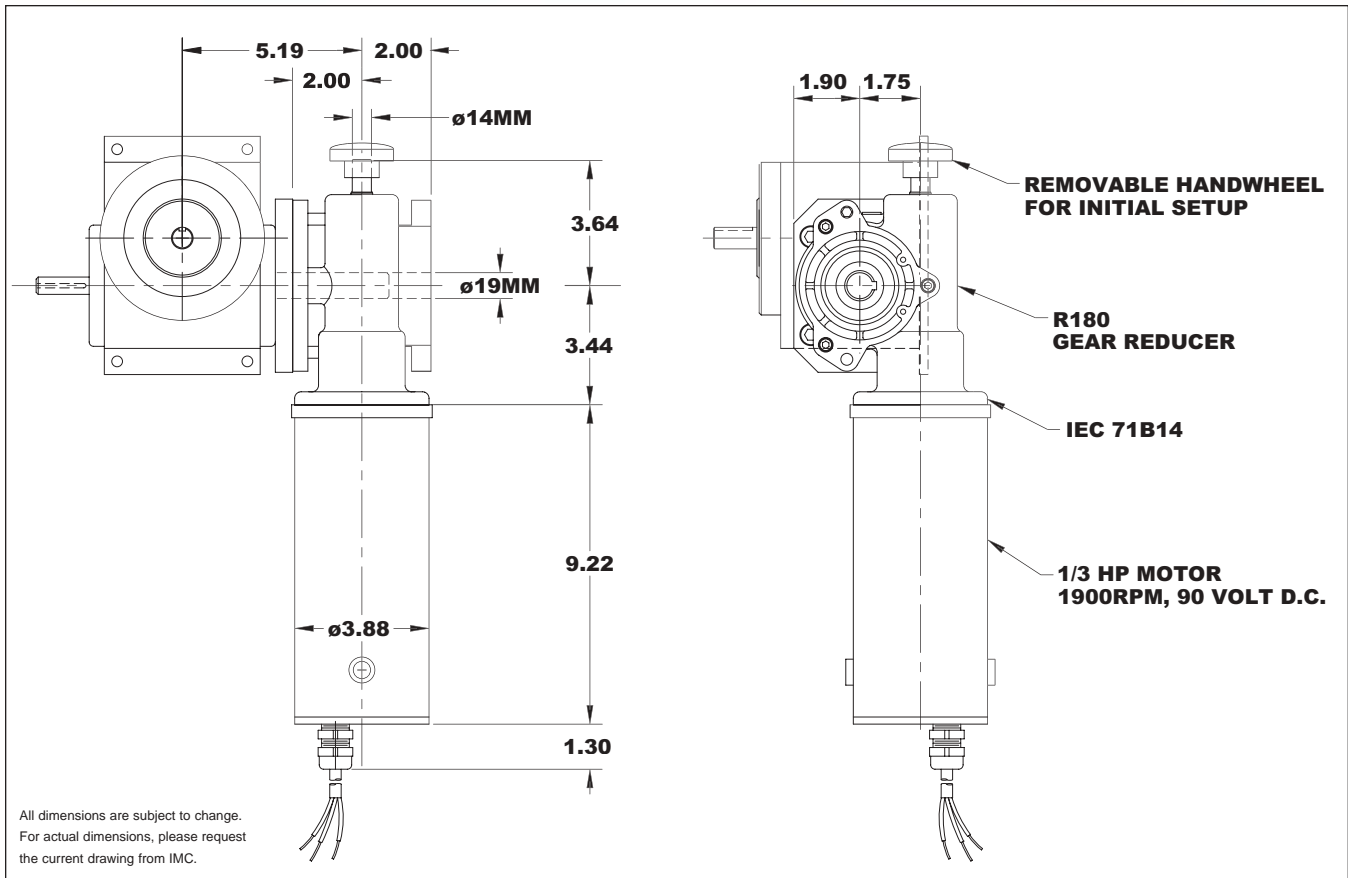
Technical Specifications

Output Load Capacity – loads carried during index

Radial 575 lbs
 Thrust/Axial 577 lbs
 Moment 719 in.-lbs

Accuracy ±67 arcsec / ±.0010" at 3" Radius

Repeatability ±33 arcsec / ±.0005" at 3" Radius



Standard Package

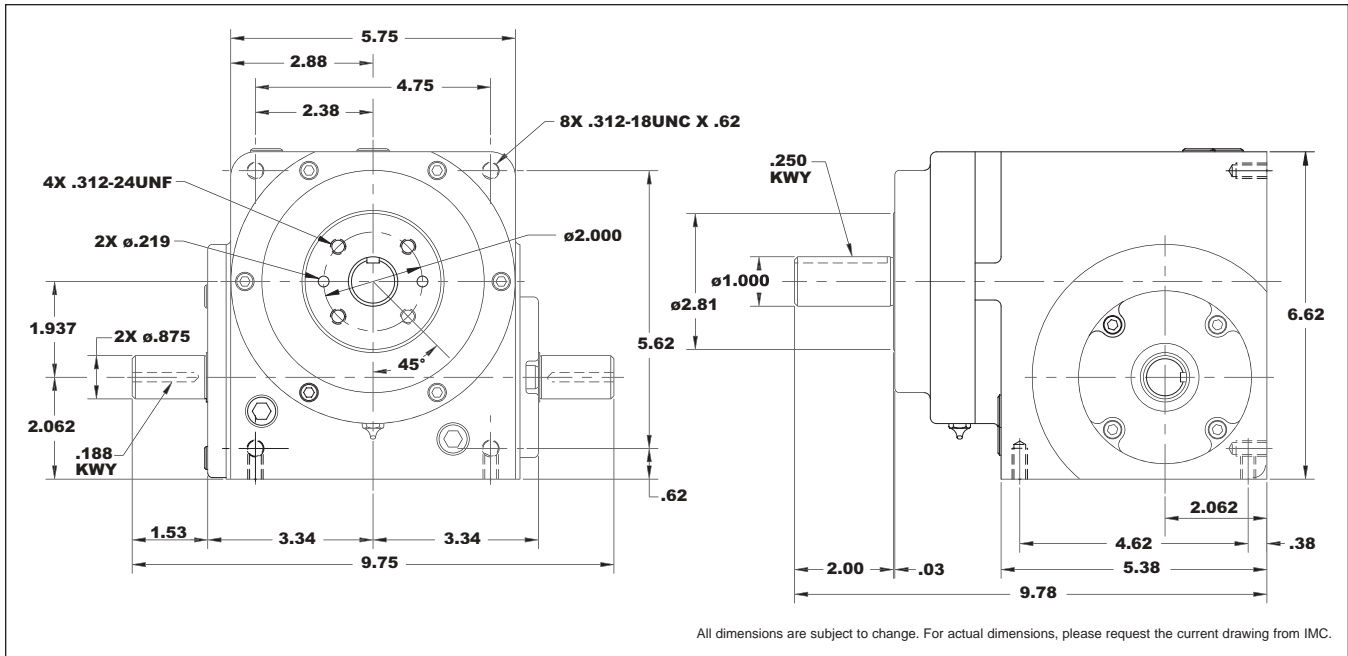
301RA with

- ◆ R180 Reducer (ratios from 5:1 to 60:1)
 - Double Extended Worm Shaft (Input)
 - Worm Shaft Handwheel
- ◆ Double Extended Camshaft (Input Shaft)
- ◆ 1/3 hp DC motor
- ◆ Varipak DC Motor Control (up to 30 cpm)
- ◆ Cycle Cam and Limit Switch Mounted to Camshaft
- ◆ Right Hand Cam

Accessories and Options

- ◆ 1/3 or 1 hp AC Drive Package with Inverter Duty Motor and Inverter Drive (up to 60 cpm)
- ◆ Output Overload Clutch Models: .39F, .39FC, .39S, .39C, .39FC-SD, .39S-SD, .39C-SD
 - Available Settings (in-lb): 160, 210, 270, 320, 390
- ◆ Dual Cycle Cam and Limit Switch
- ◆ Finished cover for ceiling mount or tooling plate mounting
- ◆ Electric Clutch-Brake
- ◆ Left Hand Cam
- ◆ Relief in Dwell for shot-pin applications

400RA



400RA Indexer Capacities					
Stops (S)	Index Period (β)	Motion	B ₁₀ Capacity at 50 RPM (in-lb)	Internal Inertia (lb-in ²)	Model
2	330	ms	595	15	400RA2H20-330
3	270	ms	1591	15	400RA3H24-270
4	270	ms	1858	15	400RA4H24-270
	180	ms	2098	15	400RA4H24-180
6	270	ms	1711	15	400RA6H24-270
	180	ms	1906	15	400RA6H24-180
	120	ms	2024	15	400RA6H24-120
8	270	ms	1987	15	400RA8H24-270
	180	ms	2194	15	400RA8H24-180
	120	ms	2354	15	400RA8H24-120
12	270	ms	1290	15	400RA12H20-270
	180	ms	1438	15	400RA12H20-180
	120	ms	1568	15	400RA12H20-120
16	270	ms	1426	15	400RA16H20-270 II
	180	ms	2947	15	400RA16H24-180 II
24	270	ms	1640	15	400RA24H20-270 II
	180	ms	1894	15	400RA24H20-180 II

Other Motions (stops and index periods) available. Contact your IMC sales representative for more information.

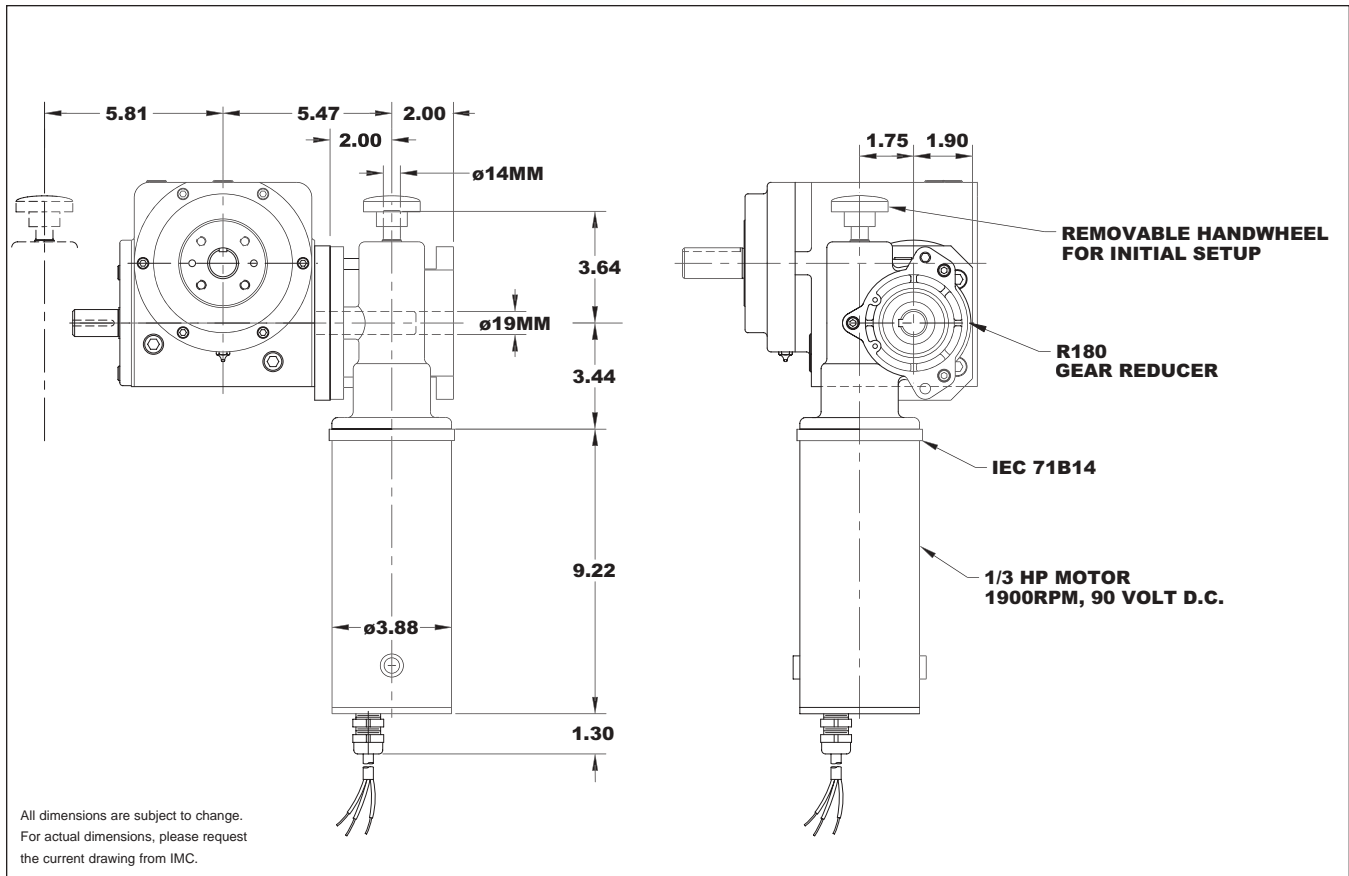
Technical Specifications

Output Load Capacity – loads carried during index

Radial	1473 lbs
Thrust/Axial	1406 lbs
Moment	2945 in.-lbs

Accuracy ±48 arcsec / ±.0007" at 3" Radius

Repeatability ±24 arcsec / ±.0003" at 3" Radius



Standard Package

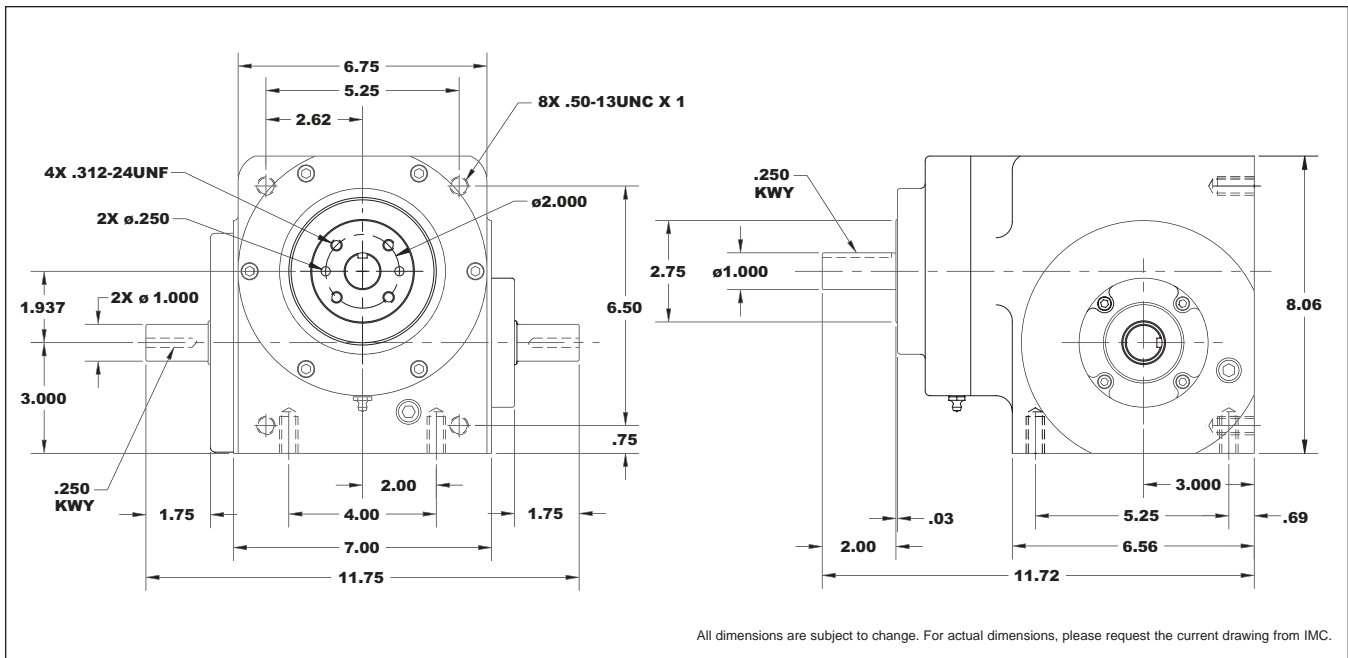
400RA with

- ◆ R180 Reducer (ratios from 5:1 to 60:1)
 - Double Extended Worm Shaft (Input)
 - Worm Shaft Handwheel
- ◆ Double Extended Camshaft (Input Shaft)
- ◆ 1/3 hp DC motor
- ◆ Varipak DC Motor Control (up to 30 cpm)
- ◆ Cycle Cam and Limit Switch Mounted to Camshaft
- ◆ Right Hand Cam

Accessories and Options

- ◆ 1/3 or 1 hp AC Drive Package with Inverter Duty Motor and Inverter Drive (up to 60 cpm)
- ◆ R225 Reducer (ratios from 5:1 to 60:1)
 - 1 hp DC Motor
 - 56C Motor Adapter and Coupling
- ◆ Output Overload Clutch Models: 2.3F, 2.3FC, 2.3S, 2.3C, 2.3FC-SD, 2.3S-SD, 2.3C-SD
 - Available Settings (in-lb): 400, 600, 700, 850, 1000, 1300, 1800, 2000, 2300
- ◆ Dual Cycle Cam and Limit Switch
- ◆ Finished cover for ceiling mount or tooling plate mounting
- ◆ Electric Clutch-Brake
- ◆ Air Clutch-Brake (with R225 only)
- ◆ Left Hand Cam
- ◆ Relief in Dwell for shot-pin applications
- ◆ 180-IOC or 225-IOC Input Overload Clutch

401RA



401RA Indexer Capacities					
Stops (S)	Index Period (β)	Motion	B ₁₀ Capacity at 50 RPM (in-lb)	Internal Inertia (lb-in ²)	Model
2	270	msc.33	1597	15	401RA2H24-270
3	270	ms	1514	15	401RA3H24-270
4	270	ms	1615	15	401RA4H24-270
4	180	ms	1805	15	401RA4H24-180
6	270	ms	1451	15	401RA6H24-270
	180	ms	1659	15	401RA6H24-180
	120	ms	1982	15	401RA6H24-120
8	270	ms	1711	15	401RA8H24-270
8	180	ms	1934	15	401RA8H24-180
8	120	ms	2146	15	401RA8H24-120
12	270	ms	1119	15	401RA12H20-270
	180	ms	1257	15	401RA12H20-180
	120	ms	1395	15	401RA12H20-120
	90	ms	1487	15	401RA12H20-90
16	270	ms	2372	15	401RA16H24-270 II
	180	ms	2647	15	401RA16H24-180 II

Other Motions (stops and index periods) available. Contact your IMC sales representative for more information.

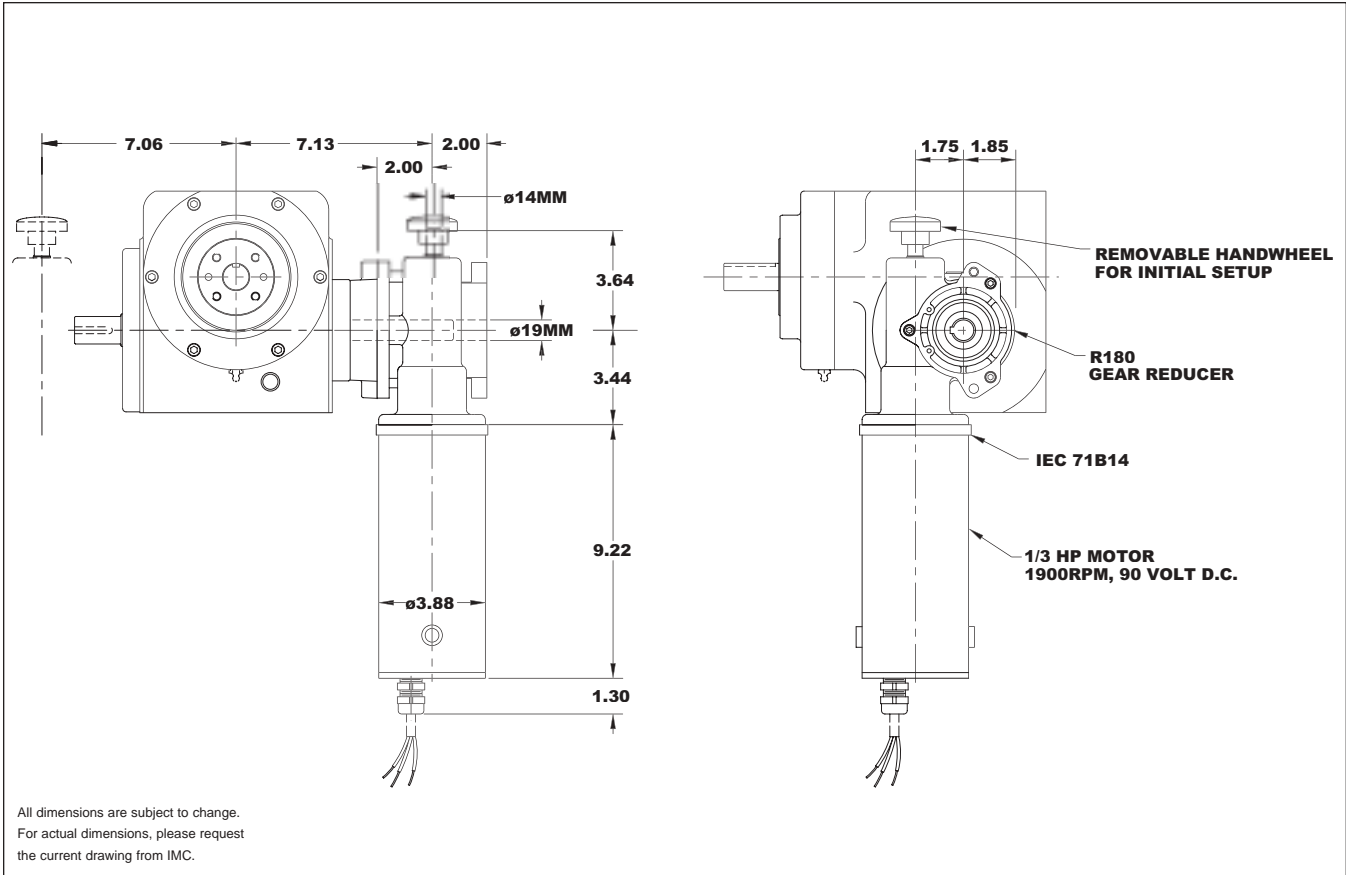
Technical Specifications

Output Load Capacity – loads carried during index

Radial	1473 lbs
Thrust/Axial	1406 lbs
Moment	2945 in.-lbs

Accuracy ±48 arcsec / ±.0007" at 3" Radius

Repeatability ±24 arcsec / ±.0003" at 3" Radius



Standard Package

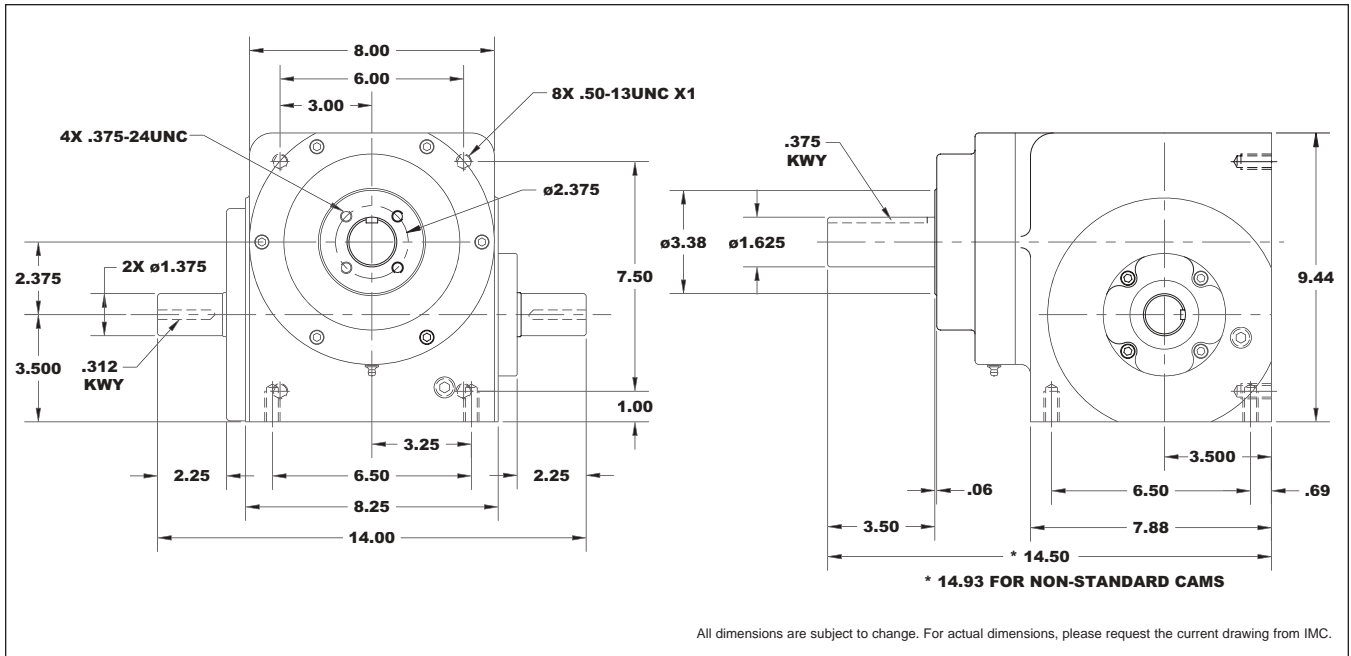
401RA with

- ◆ R180 Reducer (ratios from 5:1 to 60:1)
 - Double Extended Worm Shaft (Input)
 - Worm Shaft Handwheel
- ◆ Double Extended Camshaft (Input Shaft)
- ◆ 1/3 hp DC motor
- ◆ Varipak DC Motor Control (up to 30 cpm)
- ◆ Cycle Cam and Limit Switch Mounted to Camshaft
- ◆ Right Hand Cam

Accessories and Options

- ◆ 1/3 or 1 hp AC Drive Package with Inverter Duty Motor and Inverter Drive (up to 60 cpm)
- ◆ R225 Reducer (ratios from 5:1 to 60:1)
 - 1 hp DC Motor
 - 56C Motor Adapter and Coupling
- ◆ Output Overload Clutch Models: 2.3F, 2.3FC, 2.3S, 2.3C, 2.3FC-SD, 2.3S-SD, 2.3C-SD
 - Available Settings (in-lb): 400, 600, 700, 850, 1000, 1300, 1800, 2000, 2300
- ◆ Dual Cycle Cam and Limit Switch
- ◆ Finished cover for ceiling mount or tooling plate mounting
- ◆ Electric Clutch-Brake
- ◆ Air Clutch-Brake (with R225 only)
- ◆ Left Hand Cam
- ◆ Relief in Dwell for shot-pin applications
- ◆ 180-IOC or 225-IOC Input Overload Clutch

512RA



512RA Indexer Capacities					
Stops (S)	Index Period (β)	Motion	B ₁₀ Capacity at 50 RPM (in-lb)	Internal Inertia (lb-in ²)	Model
2	270	msec.33	2061	45	512RA2H32-270 MSC.33
3	270	ms	2360	45	512RA3H32-270
	180	msec.33	2852	45	512RA3H32-180 MSC 0.33
4	270	ms	2710	45	512RA4H32-270
	180	msec.33	3430	45	512RA4H32-180 MSC 0.33
	120	msec.33	3648	45	512RA4H32-120 MSC 0.33
6	270	ms	2613	45	512RA6H32-270
	180	ms	2992	45	512RA6H32-180
	120	ms	3179	45	512RA6H32-120
8	270	ms	3172	45	512RA8H32-270
	180	ms	3529	45	512RA8H32-180
	120	ms	3802	45	512RA8H32-120
12	270	ms	2738	45	512RA12H28-270
	180	ms	3064	45	512RA12H28-180
	120	ms	3176	45	512RA12H28-120
16	270	ms	4466	45	512RA16H32-270 II
	180	ms	4963	45	512RA16H32-180 II
24	270	ms	3497	45	512RA24H28-270 II
	180	ms	3977	45	512RA24H28-180 II
	120	ms	4347	45	512RA24H28-120 II

Other Motions (stops and index periods) available. Contact your IMC sales representative for more information.

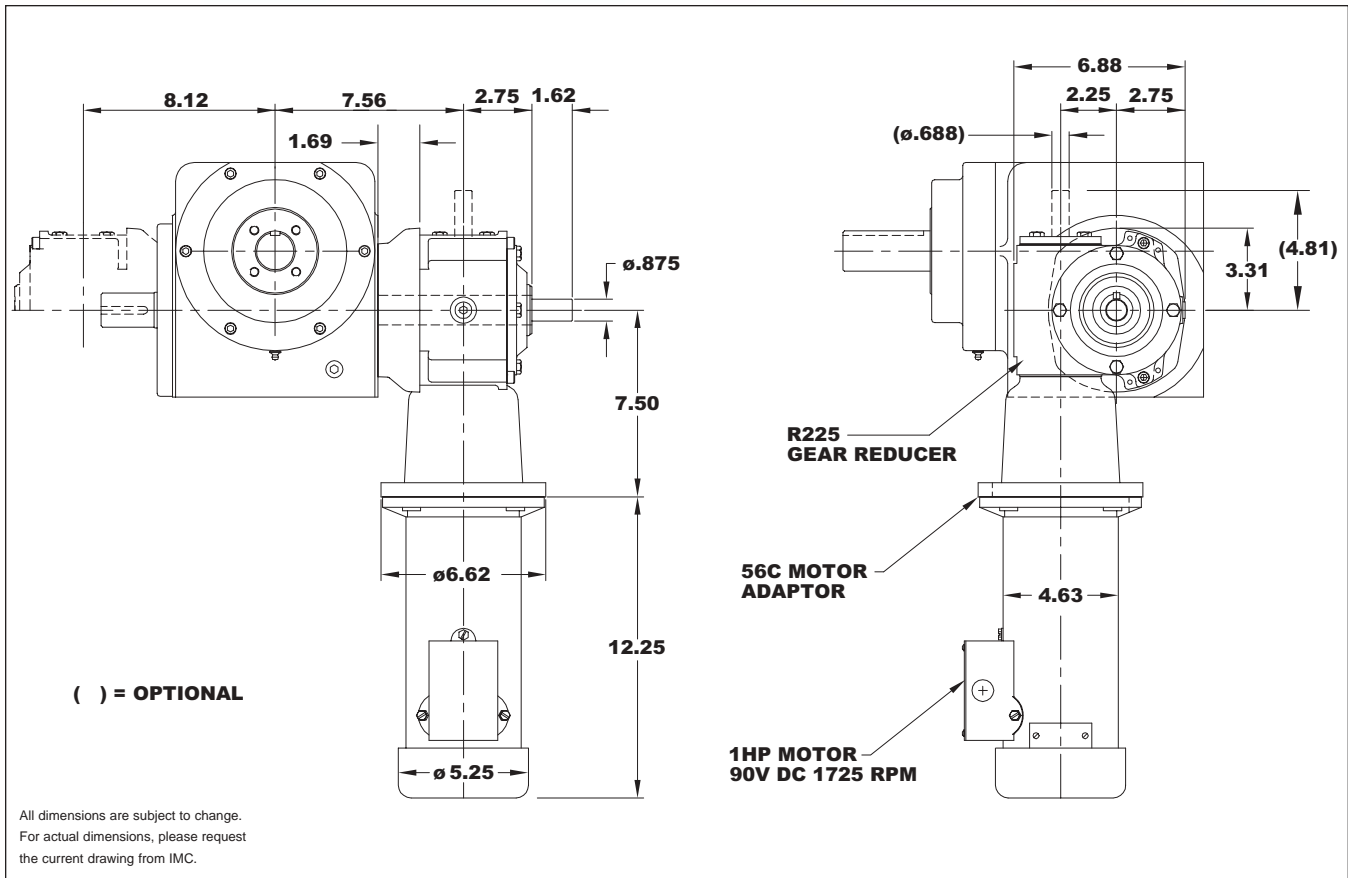
Technical Specifications

Output Load Capacity – loads carried during index

Radial	3611 lbs
Thrust/Axial	2277 lbs
Moment	12,638 in.-lbs

Accuracy ±38 arcsec / ±.0011" at 6" Radius

Repeatability ±19 arcsec / ±.0006" at 6" Radius



Standard Package

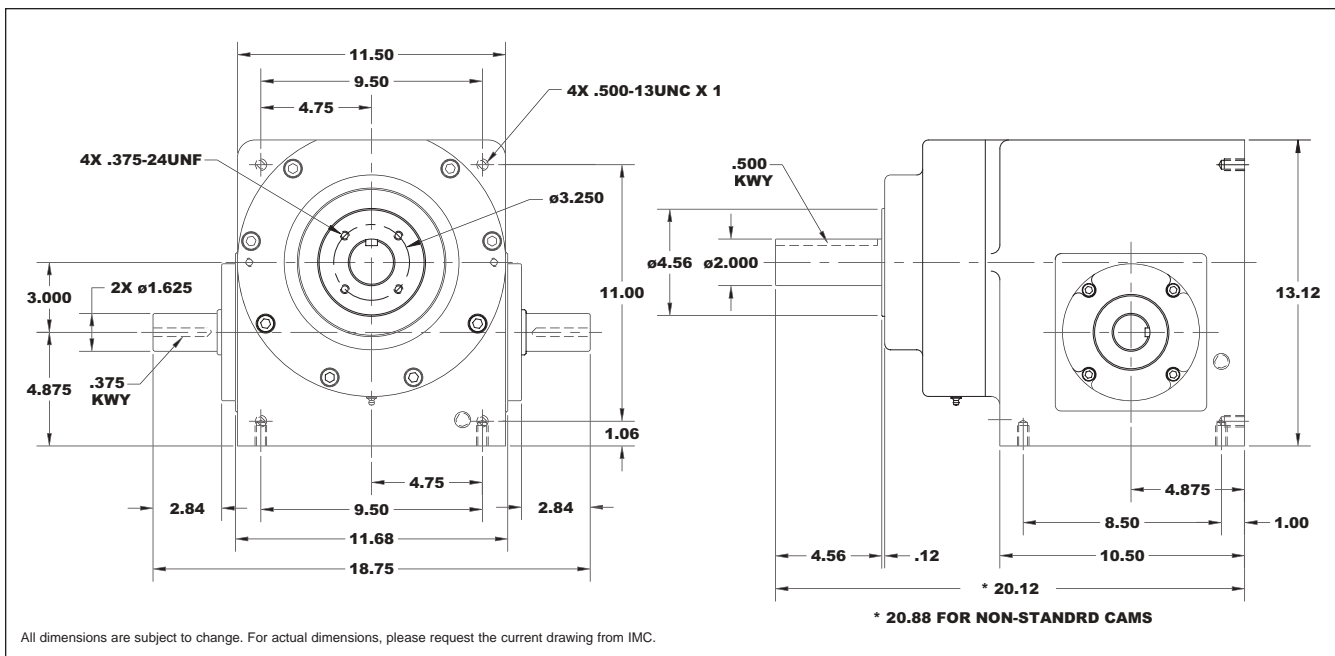
512RA with

- ◆ R225 Reducer (ratios from 5:1 to 60:1)
 - 56C Motor Adapter and Coupling
- ◆ Double Extended Camshaft (Input Shaft)
- ◆ 1 hp DC motor
- ◆ Varipak DC Motor Control (up to 30 cpm)
- ◆ Cycle Cam and Limit Switch Mounted to Camshaft
- ◆ Right Hand Cam

Accessories and Options

- ◆ 1 hp AC Drive Package with Inverter Duty Motor and Inverter Drive (up to 60 cpm)
- ◆ R260 Reducer (ratios from 5:1 to 60:1)
 - 56C Motor Adapter and Coupling
- ◆ Output Overload Clutch Models: 6.0F, 6.0FC, 6.0S and 6.0C, 6.0C-SD, 6.0FC-SD, 6.0S-SD
 - Available Settings (in-lb): 670, 825, 1100, 1400, 1700, 2000, 2300, 2500, 3000, 3800, 4000, 5000, 6000
- ◆ Dual Cycle Cam and Limit Switch
- ◆ Finished cover for ceiling mount or tooling plate mounting
- ◆ Electric Clutch-Brake
- ◆ Air Clutch-Brake
- ◆ Left Hand Cam
- ◆ Relief in Dwell for shot-pin applications
- ◆ 225-IOC or 260-IOC Input Overload Clutch

662RA



662RA Indexer Capacities

Stops (S)	Index Period (β)	Motion	B ₁₀ Capacity at 50 RPM (in-lb)	Internal Inertia (lb-in ²)	Model
2	270	ms	6534	172	662RA2H48-270
3	270	ms	5913	169	662RA3H40-270
	180	ms	6146	169	662RA3H40-180
4	270	ms	6903	172	662RA4H40-270
	180	ms	7616	172	662RA4H40-180
	120	ms	7751	172	662RA4H40-120
6	270	ms	5734	169	662RA6H40-270
	180	ms	6949	169	662RA6H40-180
	120	ms	7551	169	662RA6H40-120
8	270	ms	7187	172	662RA8H40-270
	180	ms	8085	172	662RA8H40-180
	120	ms	8867	172	662RA8H40-120
	90	ms	8987	172	662RA8H40-90
12	270	ms	4504	165	662RA12H32-270
	180	ms	5052	165	662RA12H32-180
	120	ms	5511	165	662RA12H32-120
	90	ms	5536	165	662RA12H32-90
16	270	ms	9518	172	662RA16H40-270 II
	180	ms	10626	172	662RA16H40-180 II
24	270	ms	5846	165	662RA24H32-270 II

Other Motions (stops and index periods) available. Contact your IMC sales representative for more information.

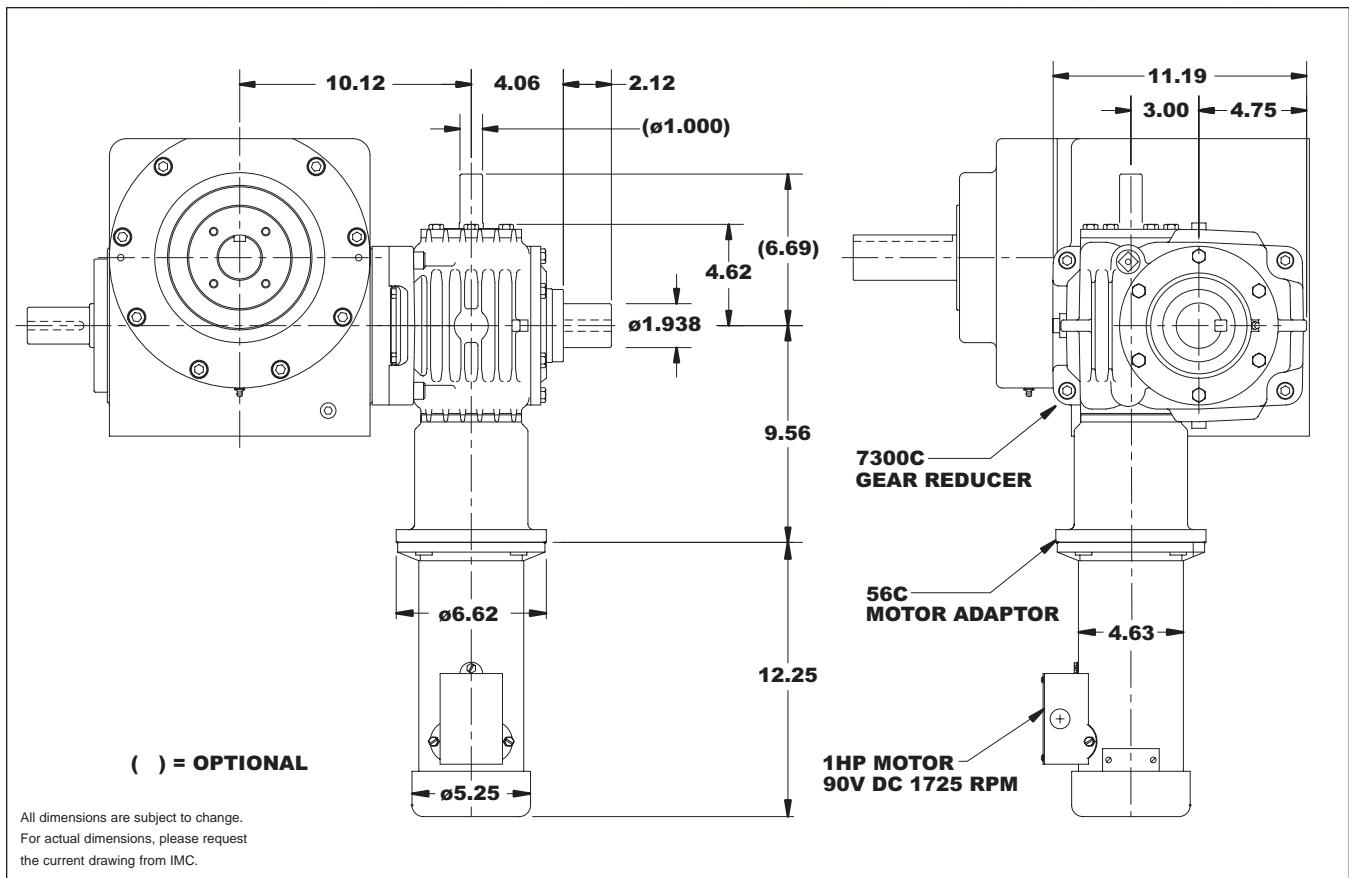
Technical Specifications

Output Load Capacity – loads carried during index

Radial	5167 lbs
Thrust/Axial	5239 lbs
Moment	23,562 in.-lbs

Accuracy ± 36 arcsec / $\pm .001$ " at 6" Radius

Repeatability ± 18 arcsec / $\pm .0005$ " at 6" Radius



Standard Package

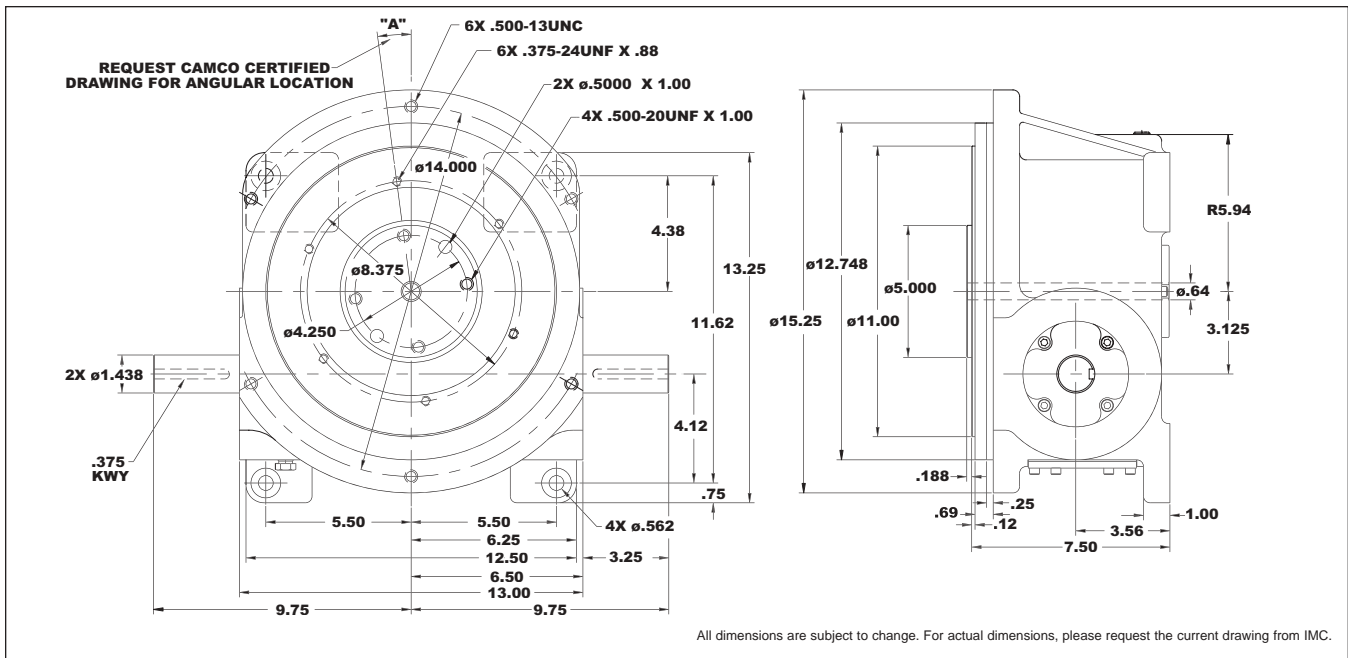
662RA with

- ◆ 7300C Reducer (ratios from 5:1 to 60:1)
 - Motor Adapter and Coupling
- ◆ Double Extended Camshaft (Input Shaft)
- ◆ 1 hp DC motor
- ◆ Varipak DC Motor Control (up to 30 cpm)
- ◆ Cycle Cam and Limit Switch Mounted to Camshaft
- ◆ Right Hand Cam

Accessories and Options

- ◆ 1 or 2 hp AC Drive Package with Inverter Duty Motor and Inverter Drive (up to 60 cpm)
- ◆ 7350C Reducer (ratios from 5:1 to 60:1)
 - Motor Adapter and Coupling
- ◆ 2 hp DC Motor with Varipak DC Motor Control (up to 30 cpm)
- ◆ Output Overload Clutch Models: 11F, 11FC, 11FC-SD
 - Available Settings (in-lb): 2300, 4000, 6000, 8500, 11,000
- ◆ Dual Cycle Cam and Limit Switch
- ◆ Finished cover for ceiling mount or tooling plate mounting
- ◆ Electric Clutch-Brake
- ◆ Air Clutch-Brake
- ◆ Left Hand Cam
- ◆ Relief in Dwell for shot-pin applications
- ◆ 300-IOC or 350-IOC Input Overload Clutch

663RAD



663RAD Indexer Capacities

Stops (S)	Index Period (β)	Motion	B ₁₀ Capacity at 50 RPM (in-lb)	Internal Inertia (lb-in ²)	Model
3	270	ms	3194	636	663RAD3H36-270
	180	ms	3199	636	663RAD3H36-180
4	270	ms	3593	642	663RAD4H36-270
	180	ms	4091	638	663RAD4H32-180
6	270	ms	3662	636	663RAD6H36-270
	180	ms	4057	636	663RAD6H36-180
	120	ms	4187	636	663RAD6H36-120
8	270	ms	4347	642	663RAD8H36-270
	180	ms	4730	642	663RAD8H36-180
	120	ms	4973	642	663RAD8H32-120
12	270	ms	5200	647	663RAD12H32-270
	180	ms	5757	647	663RAD12H32-180
	120	ms	6167	647	663RAD12H32-120
	90	ms	4211	635	663RAD12H28-90
16	270	ms	3977	635	663RAD16H24-270
	180	ms	4445	635	663RAD16H24-180
	120	ms	4945	635	663RAD16H24-120
24	270	ms	7145	647	663RAD24H32-270 II
	180	ms	7306	647	663RAD24H32-180 II
	120	ms	8269	647	663RAD24H32-120 II

Other Motions (stops and index periods) available. Contact your IMC sales representative for more information.

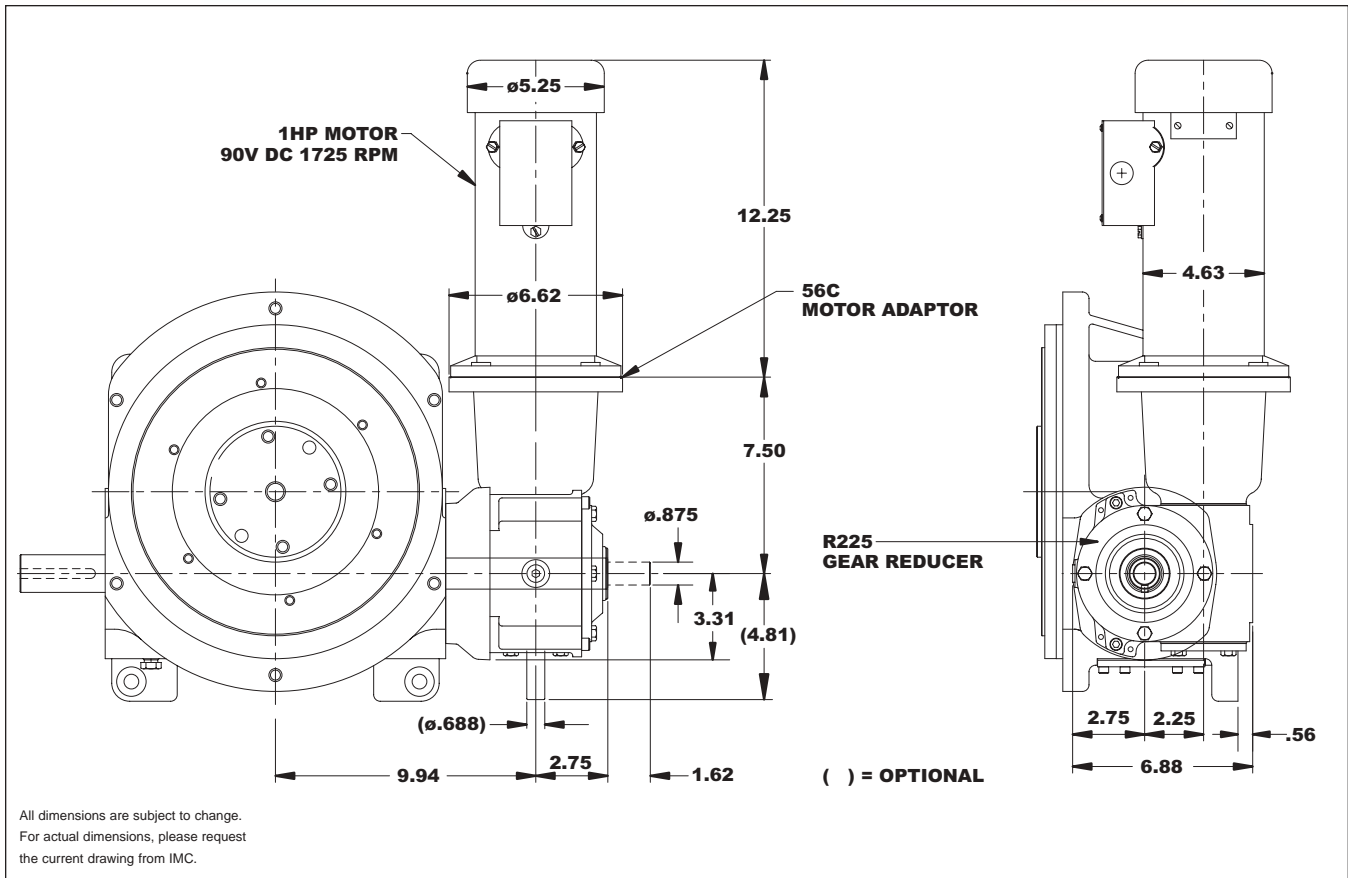
Technical Specifications

Output Load Capacity – loads carried during index

Radial	6843 lbs
Thrust/Axial	4721 lbs
Moment	37,637 in.-lbs

Accuracy ± 36 arcsec / $\pm .001$ " at 6" Radius

Repeatability ± 18 arcsec / $\pm .0005$ " at 6" Radius



Standard Package

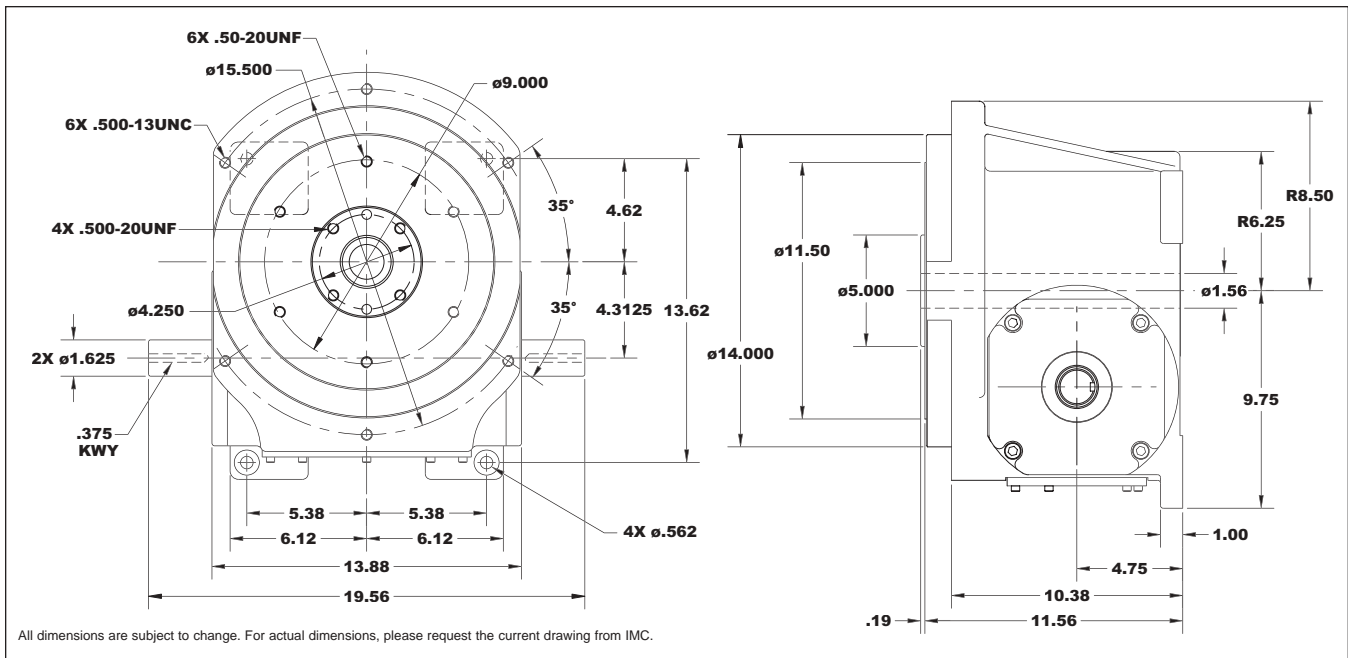
663RAD with

- ◆ R225 Reducer (ratios from 5:1 to 60:1)
 - 56C Motor Adapter and Coupling
- ◆ 1 hp DC motor
- ◆ Varipak DC Motor Control (up to 30 cpm)
- ◆ Cycle Cam and Limit Switch Mounted to Camshaft
- ◆ Double Extended Camshaft (Input Shaft)
- ◆ Center Through Hole (.64 in. Diameter)
- ◆ Right Hand Cam

Accessories and Options

- ◆ 1 hp AC Drive Package with Inverter Duty Motor and Inverter Drive (up to 60 cpm)
- ◆ R260 Reducer (ratios from 5:1 to 60:1)
 - 56C Motor Adapter and Coupling
- ◆ Output Overload Clutch Models: 11F, 11FC, 11FC-SD
 - Available Settings (in-lb): 2300, 4000, 6000, 8500, 11,000
- ◆ Output Overload Clutch Model: 7.8D
 - Available Settings (in-lb): 1400, 1700, 2600, 3200, 4200, 5000, 7200, 10,000
- ◆ “Super Accurate” Output Overload Clutch Model 7.8D-SA
 - Adjustable Setting: 2600-10,000 in-lb.
- ◆ Dual Cycle Cam and Limit Switch
- ◆ Finished cover for ceiling mount or tooling plate mounting
- ◆ Electric Clutch-Brake
- ◆ Air Clutch-Brake
- ◆ Left Hand Cam
- ◆ Relief in Dwell for shot-pin applications
- ◆ 225-IOC or 260-IOC Input Overload Clutch

900RAD



F

900RAD Indexer Capacities					
Stops (S)	Index Period (β)	Motion	B ₁₀ Capacity at 50 RPM (in-lb)	Internal Inertia (lb-in ²)	Model
2	330	msc.50	10260	1048	900RAD2H48-330 MSC 0.5
3	270	ms	10599	1048	900RAD3H48-270
	180	ms	7966	1002	900RAD3H40-180
4	270	ms	10653	1076	900RAD4H48-270
	180	ms	10016	1076	900RAD4H48-180
6	270	ms	11764	1076	900RAD6H48-270
	180	ms	12946	1048	900RAD6H48-180
	120	ms	13518	1076	900RAD6H48-120
8	270	ms	13467	1076	900RAD8H48-270
	180	ms	14969	1076	900RAD8H48-180
	120	ms	16095	1076	900RAD8H48-120
12	270	ms	16009	1132	900RAD12H48-270
	180	ms	13634	1056	900RAD12H40-180
	120	ms	14756	1056	900RAD12H40-120
	90	ms	15518	1056	900RAD12H40-90
16	270	ms	7152	1037	900RAD16H32-270
	180	ms	7990	1037	900RAD16H32-180
	120	ms	8682	1037	900RAD16H32-120
24	270	ms	22349	1132	900RAD24H48-270 II
	180	ms	18636	1056	900RAD24H40-180 II

Other Motions (stops and index periods) available. Contact your IMC sales representative for more information.

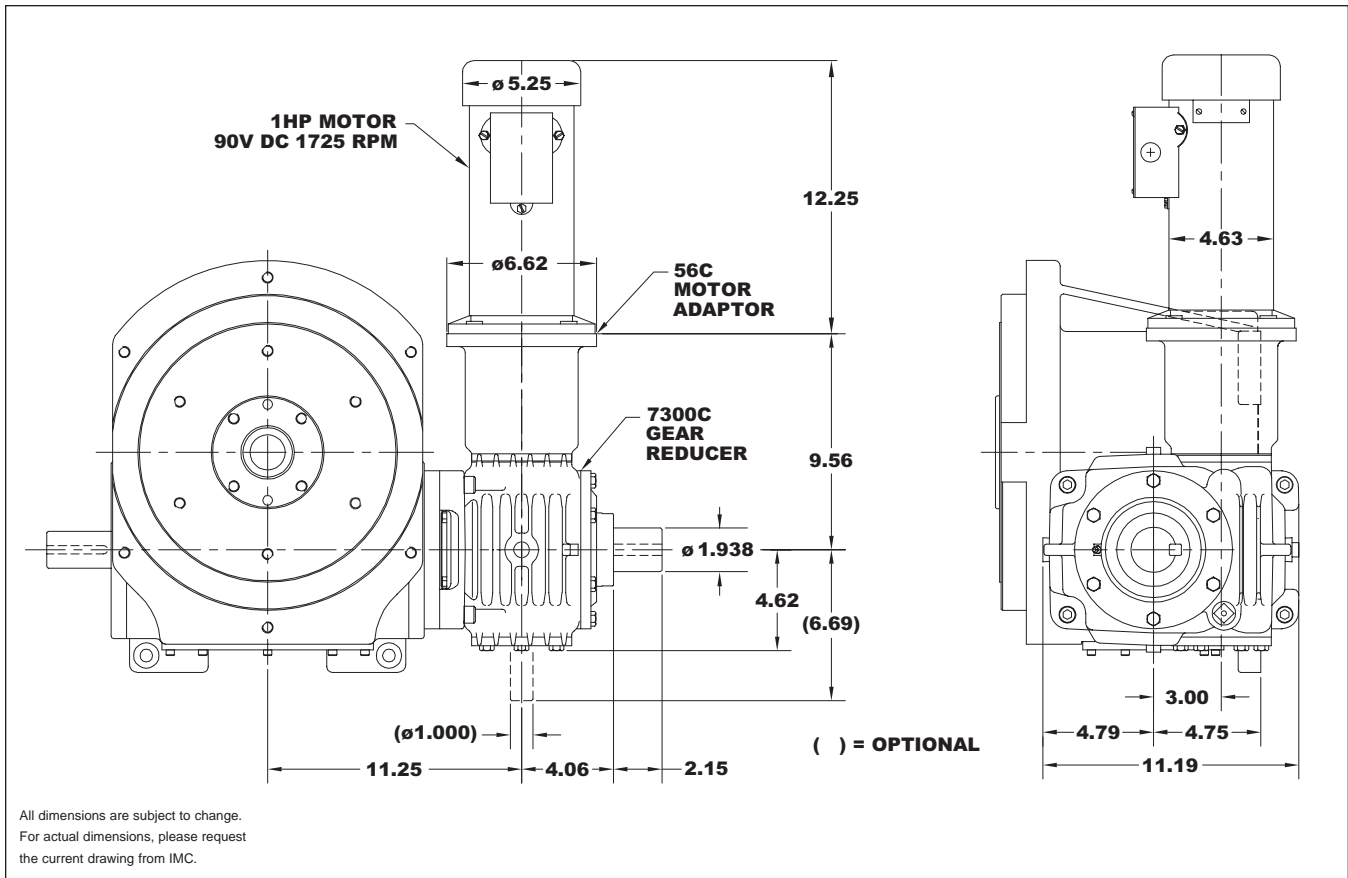
Technical Specifications

Output Load Capacity – loads carried during index

Radial 4956 lbs
 Thrust/Axial 2940 lbs
 Moment 28,496 in.-lbs

Accuracy ± 27 arcsec / $\pm .0008''$ at 6" Radius

Repeatability ± 13 arcsec / $\pm .0004''$ at 6" Radius



Standard Package

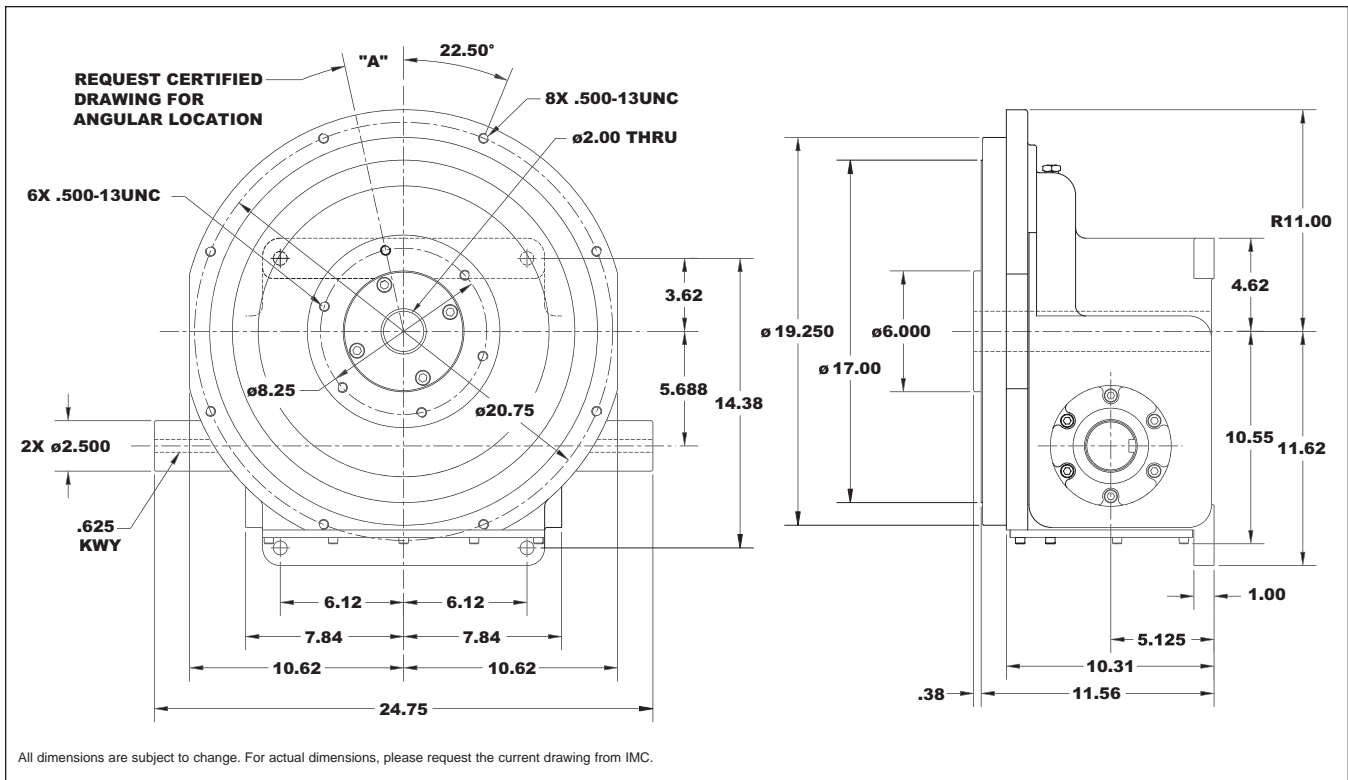
900RAD with

- ◆ 7300C Reducer (ratios from 5:1 to 60:1)
 - Motor Adapter and Coupling
- ◆ 1 hp DC motor
- ◆ Varipak DC Motor Control (up to 30 cpm)
- ◆ Cycle Cam and Limit Switch Mounted to Camshaft
- ◆ Center Through Hole (1.56 in. Diameter)
- ◆ Double Extended Camshaft (Input Shaft)
- ◆ Right Hand Cam

Accessories and Options

- ◆ 1 or 2 hp AC Drive Package with Inverter Duty Motor and Inverter Drive (up to 60 cpm)
- ◆ 7350C Reducer (ratios from 5:1 to 60:1)
 - Motor Adapter and Coupling
- ◆ 2 hp DC Motor with Varipak DC Motor Control (up to 30 cpm)
- ◆ Output Overload Clutch Model: 7.8D
 - Available Settings (in-lb): 1400, 1700, 2600, 3200, 4200, 5000, 7200, 10,000
- ◆ Output Overload Clutch Model: 18D
 - Available Settings (in-lb): 5000, 7000, 7800, 10,000, 12,000, 16,000, 19,000, 21,000, 27,000, 42,000, 45,000
- ◆ Dual Cycle Cam and Limit Switch
- ◆ Finished cover for ceiling mount or tooling plate mounting
- ◆ Electric Clutch-Brake
- ◆ Air Clutch-Brake
- ◆ Left Hand Cam
- ◆ Relief in Dwell for shot-pin applications
- ◆ 300-IOC or 350-IOC Input Overload Clutch

1200RAD



1200RAD Indexer Capacities

Stops (S)	Index Period (β)	Motion	B ₁₀ Capacity at 50 RPM (in-lb)	Internal Inertia (lb-in ²)	Model
3	270	msec.33	26935	4458	1200RAD3H64-270 MSC.33
4	270	ms	29164	4675	1200RAD4H64-270
	180	msec.50	35864	4675	1200RAD4H64-180 MSC.50
6	270	ms	26972	4563	1200RAD6H64-270
	180	ms	29579	4563	1200RAD6H64-180
	270	ms	30963	4675	1200RAD8H64-270
8	180	ms	34386	4675	1200RAD8H64-180
	120	ms	27990	4514	1200RAD8H56-120
	270	ms	36568	4899	1200RAD12H64-270
12	180	ms	30667	4685	1200RAD12H56-180
	120	ms	33436	4685	1200RAD12H56-120
	90	ms	24799	4524	1200RAD12H48-90
	270	ms	21934	4623	1200RAD16H48-270
16	180	ms	24567	4623	1200RAD16H48-180
	120	ms	20574	4900	1200RAD16H40-120
24	270	ms	51080	4899	1200RAD24H64-270 II

Other Motions (stops and index periods) available. Contact your IMC sales representative for more information.

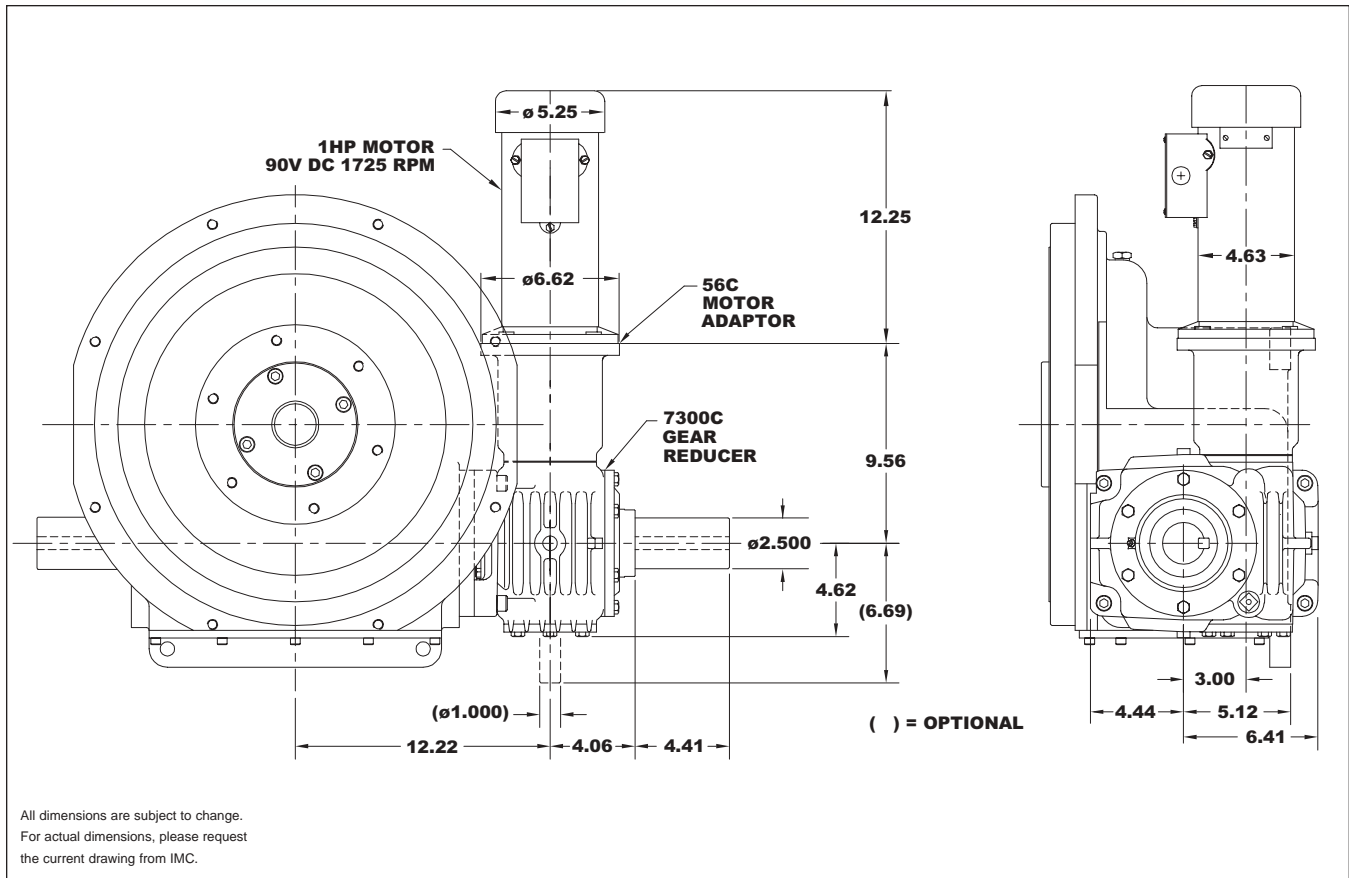
Technical Specifications

Output Load Capacity – loads carried during index

Radial	7110 lbs
Thrust/Axial	4138 lbs
Moment	60,438 in.-lbs

Accuracy ±20 arcsec / ±.0006" at 6" Radius

Repeatability ±10 arcsec / ±.0003" at 6" Radius



Standard Package

1200RAD with

- ◆ 7300C Reducer (ratios from 5:1 to 60:1)
 - Motor Adapter and Coupling
- ◆ 1 hp DC motor
- ◆ Varipak DC Motor Control (up to 30 cpm)
- ◆ Cycle Cam and Limit Switch Mounted to Camshaft
- ◆ Center Through Hole (2.00 in. Diameter)
- ◆ Double Extended Camshaft (Input Shaft)
- ◆ Right Hand Cam

Accessories and Options

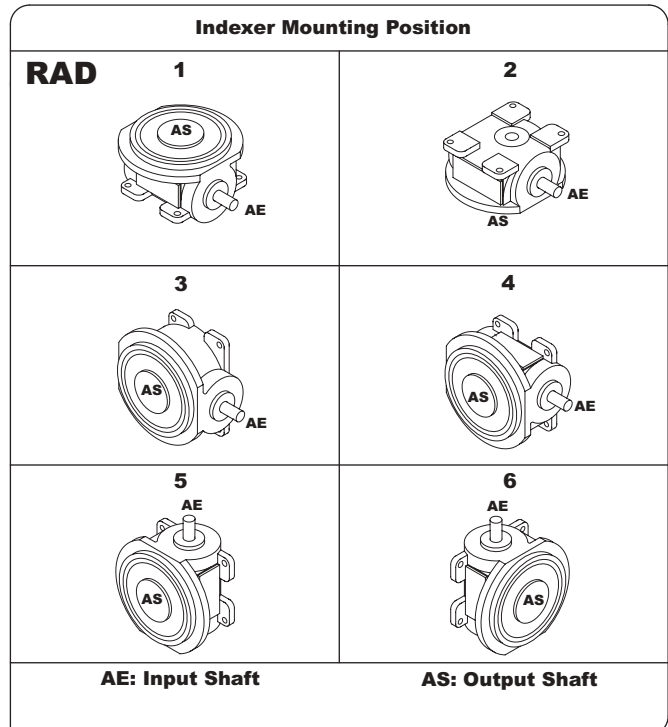
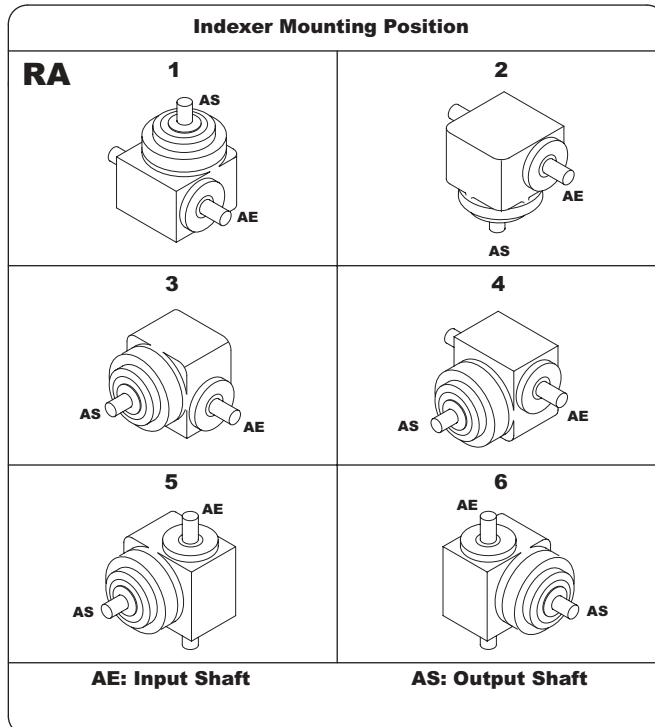
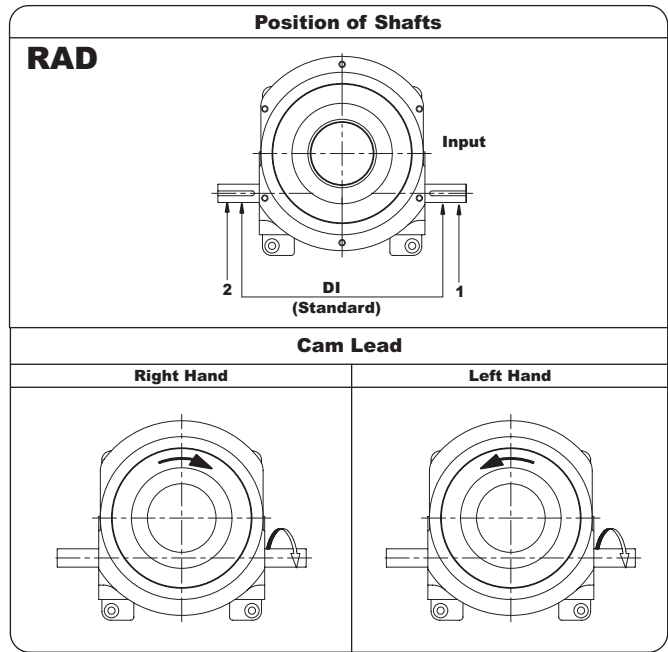
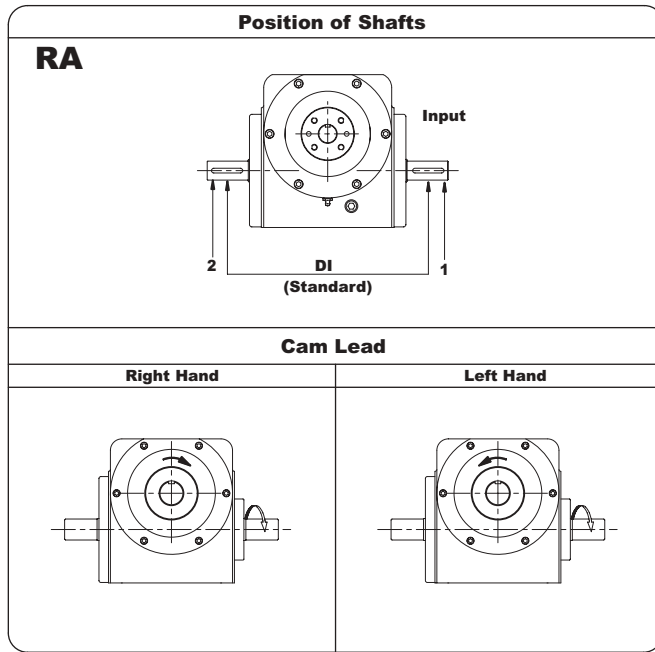
- ◆ 1 or 2 hp AC Drive Package with Inverter Duty Motor and Inverter Drive (up to 60 cpm)
- ◆ 7350C Reducer (ratios from 5:1 to 60:1)
 - Motor Adapter and Coupling
- ◆ 2 hp DC Motor with Varipak DC Motor Control (up to 30 cpm)
- ◆ Output Overload Clutch Model: 31D
 - Available Settings (in-lb): 8500, 13,000, 20,000, 31,000
- ◆ Dual Cycle Cam and Limit Switch
- ◆ Finished cover for ceiling mount or tooling plate mounting
- ◆ Electric Clutch-Brake
- ◆ Air Clutch-Brake
- ◆ Left Hand Cam
- ◆ Relief in Dwell for shot-pin applications
- ◆ 300-IOC or 350-IOC Input Overload Clutch

Indexer Ordering Procedure

1. Model
2. Input Shaft Configuration
 - ◆ Side 1
 - ◆ Side 2
 - ◆ Double Input – DI (Standard)
3. Cam Lead (Helix)
 - ◆ Right Hand (standard)
 - ◆ Left Hand

NOTE: Input may rotate in either direction to achieve desired direction of output rotation

4. Indexer Mounting Position: 1-6



Reducer Ordering Procedure

1. Model
2. Ratio: 5:1, 10:1, 15:1, 20:1, 25:1, 30:1, 40:1, 50:1, 60:1
3. Motor Adapter
4. Reducer Input Shaft Extension: Single Input (SE) or Double Input (DE)
5. Mounting (see diagram below)

Reducer Mounting Position								
RA	A-1-RH	B-1-RH	B-1-LH	A-1-LH	C-1-RH	D-1-LH *	C-1-LH	D-1-RH
	A-2-LH	B-2-LH	B-2-RH	A-2-RH	C-2-LH	D-2-RH *	C-2-RH	D-2-LH
RAD	A-1-RH	B-1-RH	B-1-LH	A-1-LH	C-1-RH	D-1-LH *	C-1-LH	D-1-RH
	A-2-LH	B-2-LH	B-2-RH	A-2-RH	C-2-LH	D-2-RH *	C-2-RH	D-2-LH

* Consult IMC for availability of this mounting on RAD models

