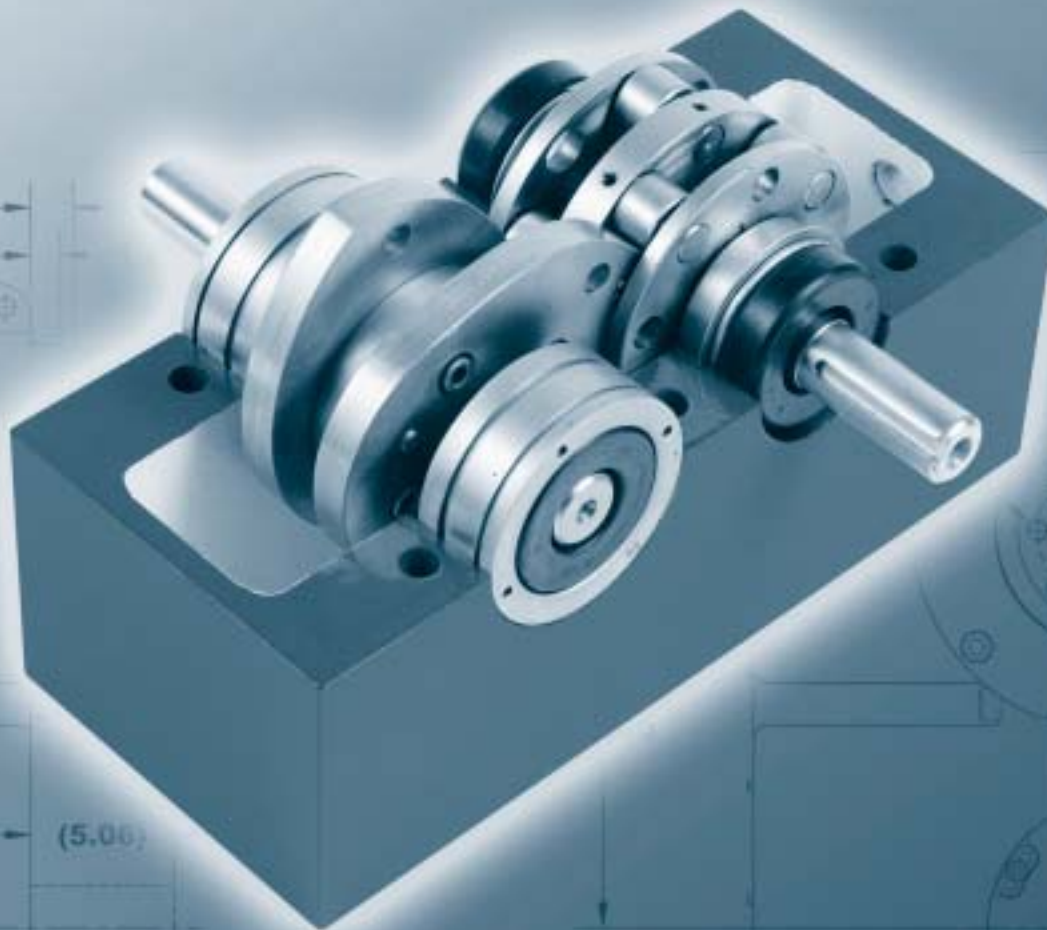


Parallel Index Drives



13.50

25.50

12.75

(5.06)

DOUBLE
EXTENDED
SHAFTS
(OPTIONAL)

11.75

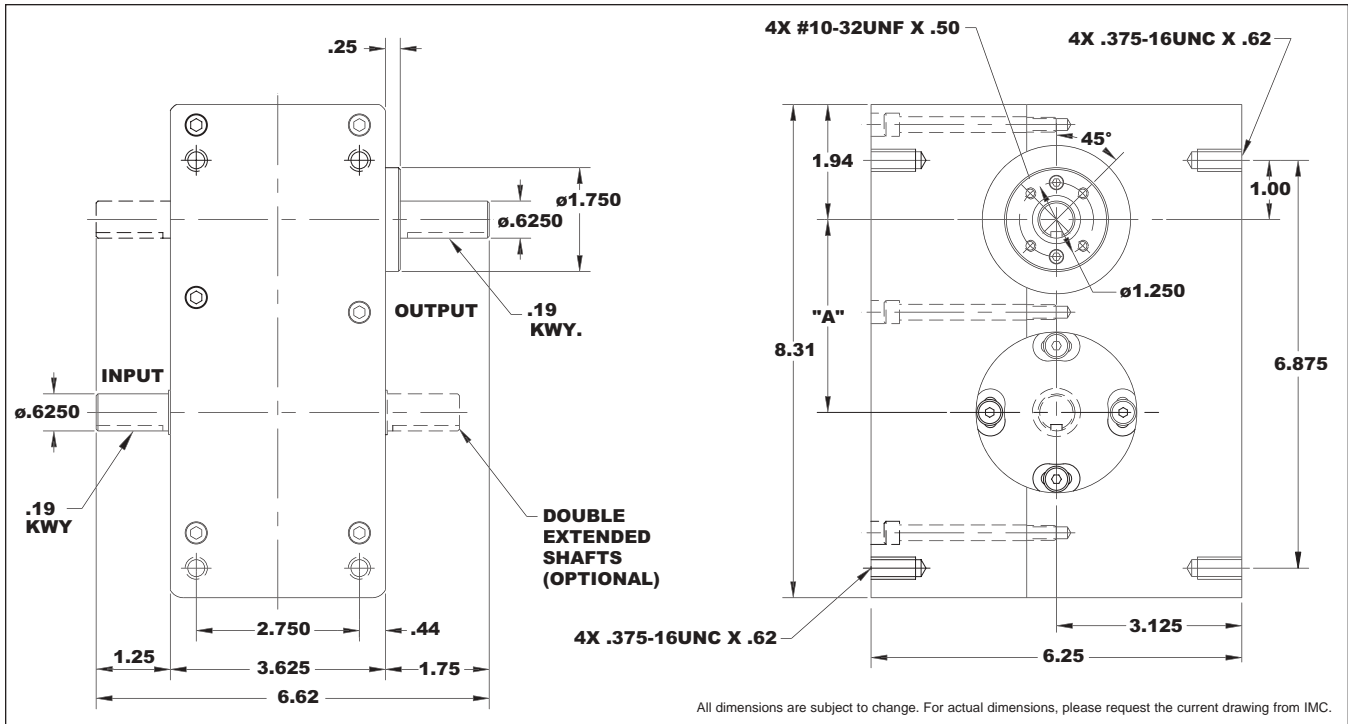
.88

Features

IMC Parallel Index Drives are ideal for high-speed applications or for actuation-type applications such as driving a linkage or a conveyor. Parallel Index Drive features include:

- ◆ Hardened and ground conjugate cams
- ◆ Yoke-mounted, preloaded cam followers are non-reversing for high capacity and speed capability
- ◆ Whole or fractions stops, oscillating and complex custom motions are available
- ◆ Long Transfer Distances achieved with simple linkages.
- ◆ Preloaded, tapered roller bearings for rigidity and backlash-free operation.

250P



250P Indexer Capacities

Stops (S)	Index Period (β)	Motion	B ₁₀ Capacity at 50 RPM (in-lb)	Internal Inertia (lb-in ²)	Model	"A" Center Distance (in.)
1.0	300	msc.50	444	3	250P1H20-300	3.250
1.5	270	msc.33	481	2	250P1.5H20-270	3.250
2	270	ms	433	3	250P2H20-270	3.250
	180	msc.33	546	3	250P2H20-180	3.250
3	270	ms	582	2	250P3H20-270	2.750
	180	ms	661	2	250P3H20-180	2.750
	120	ms	653	2	250P3H20-120	3.250
4	270	ms	571	3	250P4H20-270	2.750
	180	ms	664	3	250P4H20-180	2.750
	120	ms	666	3	250P4H20-120	3.250
	90	msc.25	782	3	250P4H20-90	3.250
6	270	ms	888	2	250P6H20-270 II	2.750
	180	msc.33	2078	3	250P6H24-180 II	2.750
8	270	ms	843	3	250P8H20-270 II	2.750
	180	ms	992	3	250P8H20-180 II	2.750
	120	ms	993	3	250P8H20-120 II	3.250
12	270	ms	702	2	250P12H20-270 II	2.750
	180	ms	827	2	250P12H20-180 II	2.750

Other Motions (stops and index periods) available. Contact your IMC sales representative for more information.

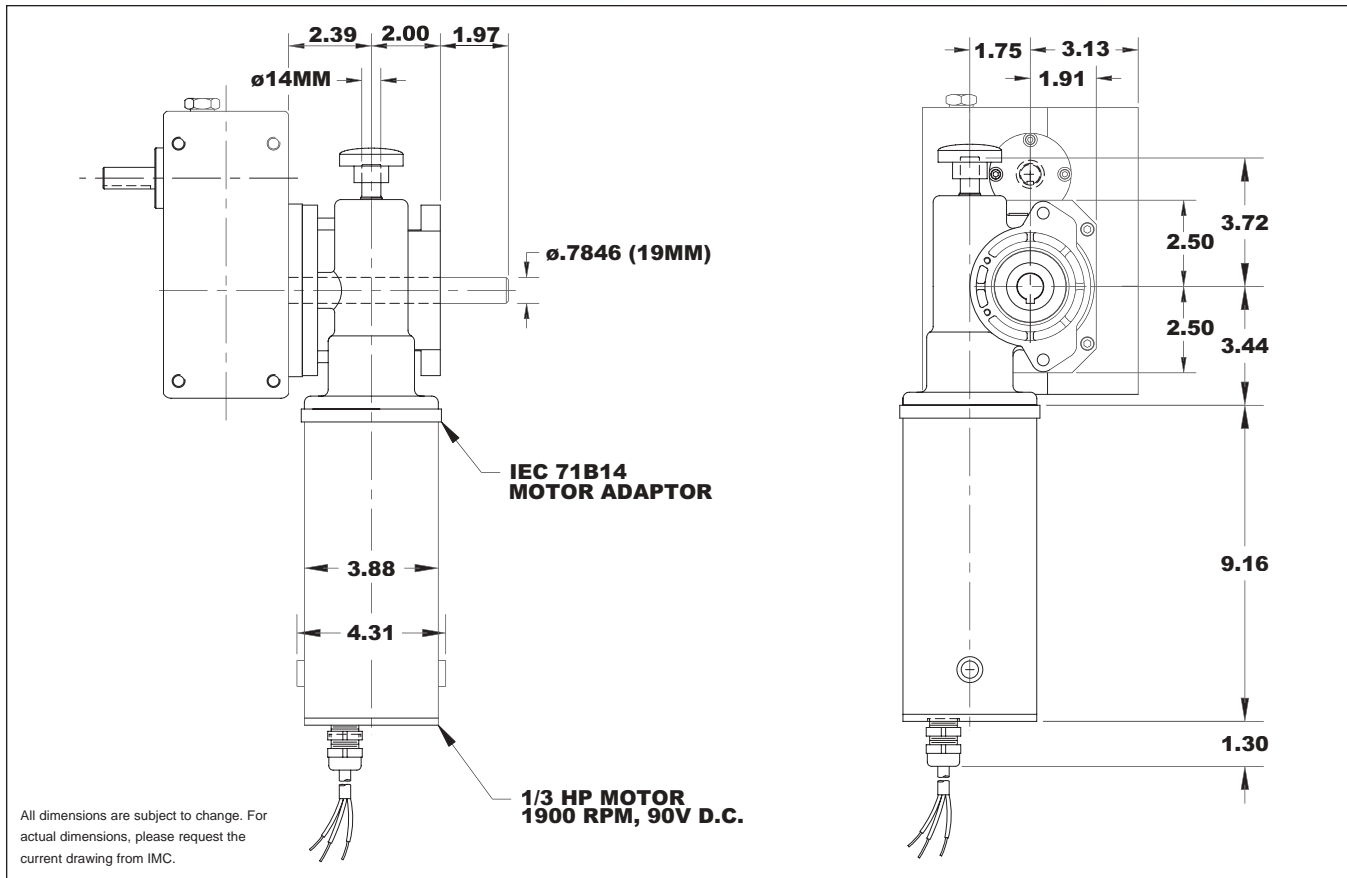
Technical Specifications

Output Load Capacity – loads carried during index

Radial	575 lbs
Thrust/Axial	314 lbs
Moment	719 in.-lbs

Accuracy ± 77 arcsec / $\pm .001$ " at 3" Radius

Repeatability ± 38 arcsec / $\pm .0006$ " at 3" Radius



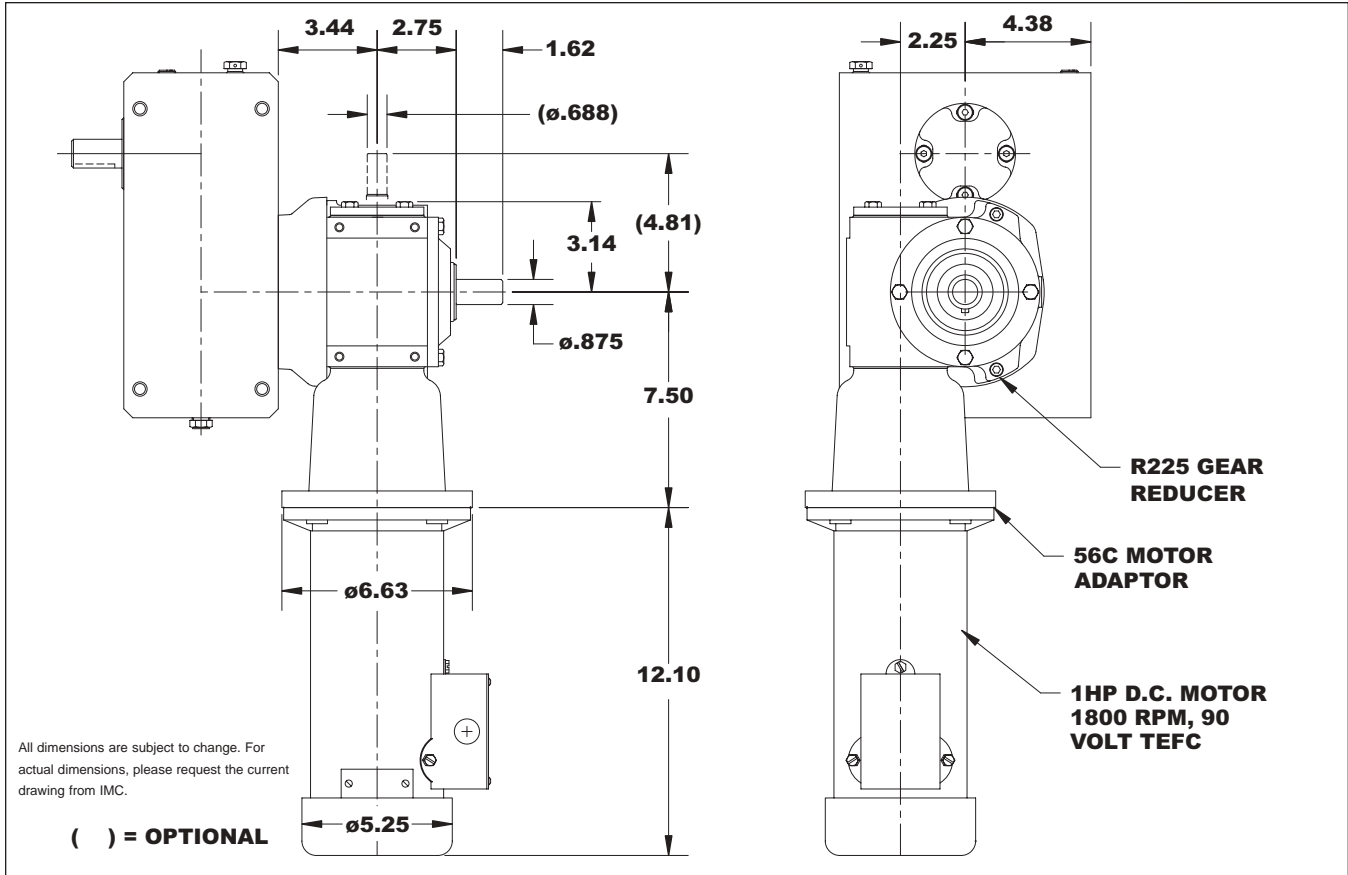
Standard Package

250P Indexer with

- ◆ Single Input Shaft and Single Output Shaft
- ◆ Output horizontal even with input Mounting
- ◆ R180 Reducer (ratios from 5:1 to 60:1)
 - Double Extended Worm (input) Shaft
 - Worm Shaft Handwheel
- ◆ 1/3 hp DC motor
- ◆ Varipak DC Motor Control (up to 30 cpm)
- ◆ Single Cycle Cam and Limit Switch

Accessories and Options

- ◆ 1/3 or 1 hp AC Drive Package with Inverter Duty Motor and Inverter Drive (up to 60 cpm)
- ◆ R225 Reducer (ratios from 5:1 to 60:1)
 - 1 hp AC or DC drive package
 - 56C Motor Adapter and Coupling
- ◆ Output Overload Clutch Models: .39F, .39FC, .39S and .39C, .39C-SD, .39FC-SD, .39S-SD
 - Available Settings (in-lb): 160, 210, 270, 320, 390
- ◆ Dual Cycle Cam and Limit Switch
- ◆ Electric Clutch-Brake
- ◆ Air Clutch-Brake (with R225 only)
- ◆ Oscillating motion
- ◆ Double Input Shaft
- ◆ Double Output Shaft
- ◆ Output and Input Vertical Mounting
- ◆ 180-IOC or 225-IOC Input Overload Clutch



Standard Package

387P Indexer with

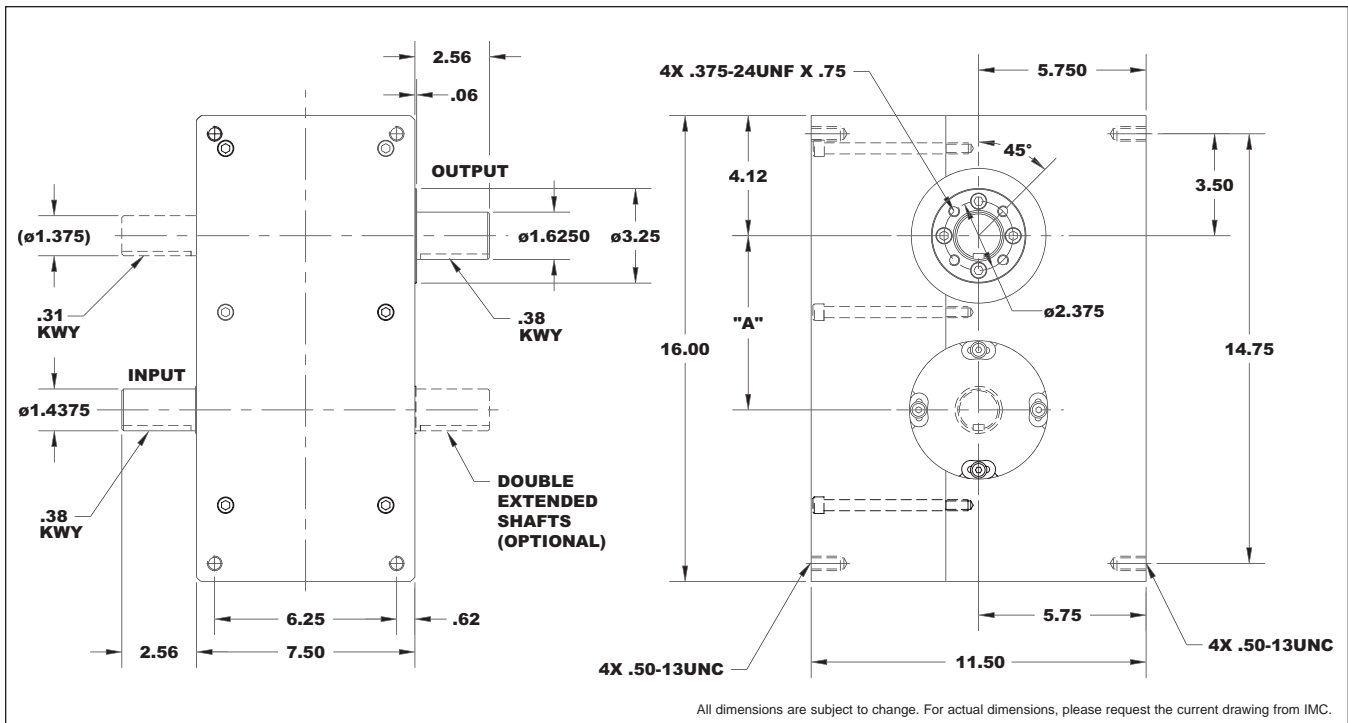
- ◆ Single Input Shaft and Single Output Shaft
- ◆ Output horizontal even with input Mounting
- ◆ R225 Reducer (ratios from 5:1 to 60:1)
 - 56C Motor Adapter and Coupling
- ◆ 1 hp DC motor
- ◆ Varipak DC Motor Control (up to 30 cpm)
- ◆ Single Cycle Cam and Limit Switch

Accessories and Options

- ◆ 1 hp AC Drive Package with Inverter Duty Motor and Inverter Drive (up to 60 cpm)
- ◆ R260 Reducer (ratios from 5:1 to 60:1)
 - 1 hp AC or DC drive package
 - 56C Motor Adapter and Coupling
- ◆ Output Overload Clutch Models: 2.3F, 2.3FC, 2.3S and 2.3C, 2.3C-SD, 2.3FC-SD, 2.3S-SD
 - Available Settings (in-lb): 400, 600, 700, 850, 1000, 1300, 1800, 2000, 2300
- ◆ Dual Cycle Cam and Limit Switch
- ◆ Electric Clutch-Brake
- ◆ Air Clutch-Brake
- ◆ Oscillating motion
- ◆ Double Input Shaft
- ◆ Double Output Shaft
- ◆ Output and Input Vertical Mounting
- ◆ 225-IOC or 260-IOC Input Overload Clutch

512P

E



512P Indexer Capacities						
Stops (S)	Index Period (β)	Motion	B ₁₀ Capacity at 50 RPM (in-lb)	Internal Inertia (lb-in ²)	Model	"A" Center Distance (in.)
1	330	msc.75	6441	63	512P1H48-330	5.979
1.33	330	msc.33	4928	61	512P1.33H48-330	5.979
1.5	330	ms	4860	63	512P1.5H48-330	5.979
2	270	msc.33	4373	61	512P2H40-270	5.979
	180	msc.50	5416	61	512P2H40-180	5.979
	120	msc.50	4131	61	512P2H40-120	5.979
3	300	msc.33	7116	61	512P2.67H40-300 II	5.979
	270	ms	5425	56	512P3H40-270	4.858
	180	ms	5462	56	512P3H40-180	5.979
4	270	ms	5619	61	512P4H40-270	4.858
	180	ms	6494	61	512P4H40-180	4.858
	120	ms	6252	61	512P4H40-120	5.979
6	270	ms	8315	56	512P6H40-270 II	4.858
	180	ms	8261	56	512P6H40-180 II	5.979
8	270	ms	8387	61	512P8H40-270 II	4.858
	180	ms	7894	61	512P8H40-180 II	5.979
10	180	ms	7165	61	512P10H40-180 II	5.979

Other Motions (stops and index periods) available. Contact your IMC sales representative for more information.

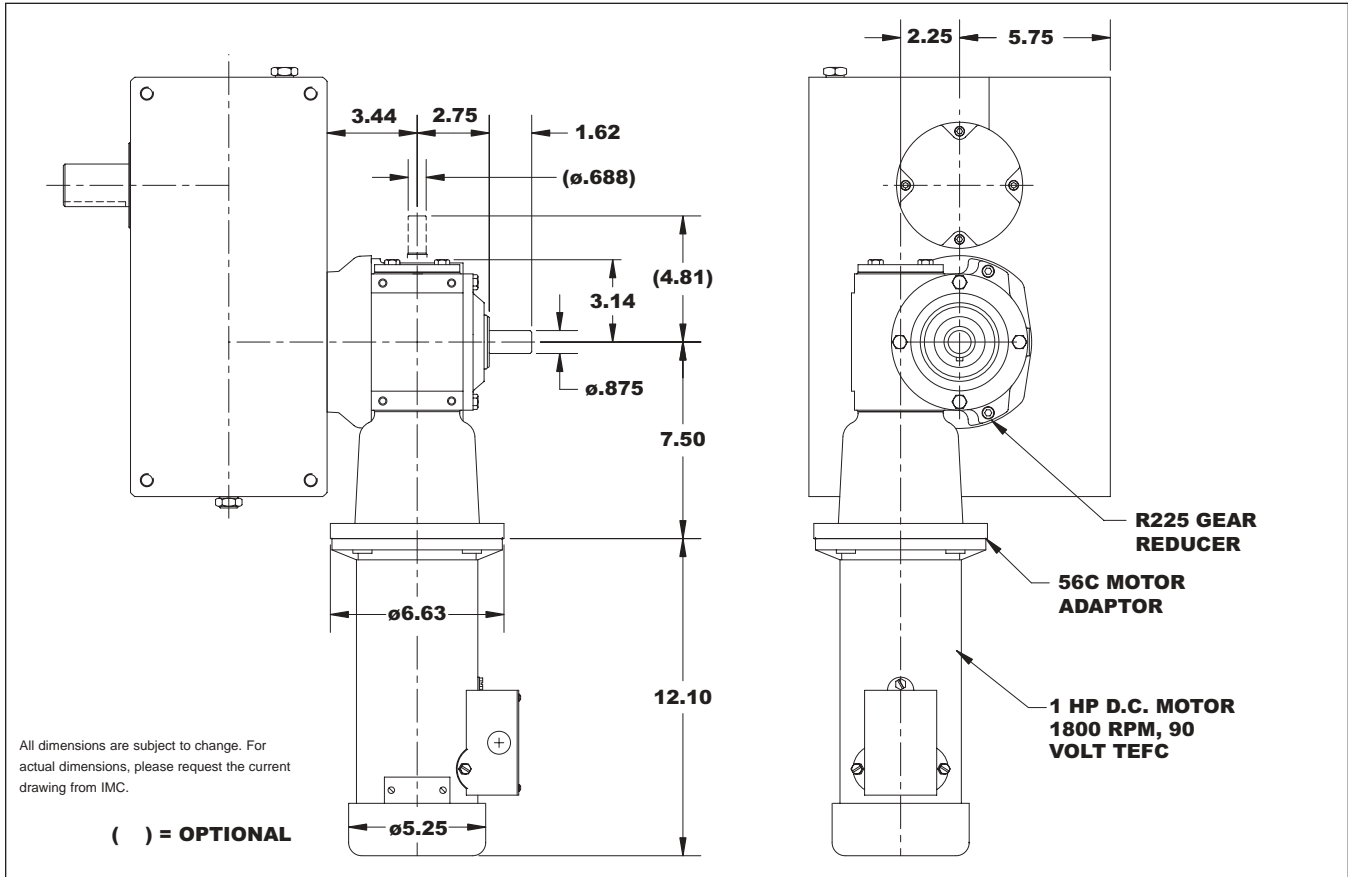
Technical Specifications

Output Load Capacity – loads carried during index

Radial	4,937 lbs
Thrust/Axial	1,374 lbs
Moment	12,638 in.-lbs

Accuracy ± 39 arcsec / $\pm .0006$ " at 3" Radius

Repeatability ± 19 arcsec / $\pm .0003$ " at 3" Radius



Standard Package

512P Indexer with

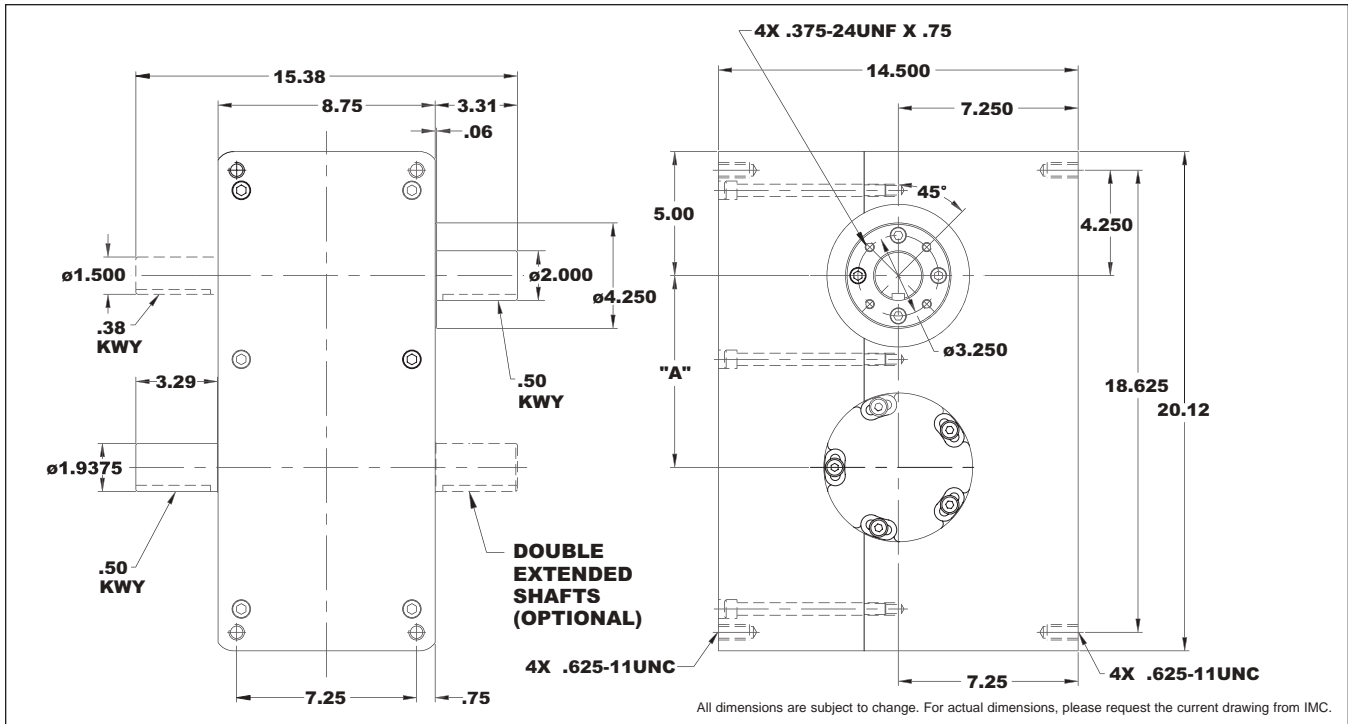
- ◆ Single Input Shaft and Single Output Shaft
- ◆ Output horizontal even with input Mounting
- ◆ R225 Reducer (ratios from 5:1 to 60:1)
 - 56C Motor Adapter and Coupling
- ◆ 1 hp DC motor
- ◆ Varipak DC Motor Control (up to 30 cpm)
- ◆ Single Cycle Cam and Limit Switch

Accessories and Options

- ◆ 1 hp AC Drive Package with Inverter Duty Motor and Inverter Drive (up to 60 cpm)
- ◆ R260 Reducer (ratios from 5:1 to 60:1)
 - 1 hp AC or DC drive package
 - 56C Motor Adapter and Coupling
- ◆ Output Overload Clutch Models: 6.0F, 6.0FC, 6.0S and 6.0C, 6.0C-SD, 6.0FC-SD, 6.0S-SD
 - Available Settings (in-lb): 670, 825, 1100, 1400, 1700, 2000, 2300, 2500, 3000, 3800, 4000, 5000, 6000
- ◆ Dual Cycle Cam and Limit Switch
- ◆ Electric Clutch-Brake
- ◆ Air Clutch-Brake
- ◆ Oscillating motion
- ◆ Double Input Shaft
- ◆ Double Output Shaft
- ◆ Output and Input Vertical Mounting
- ◆ 225-IOC or 260-IOC Input Overload Clutch

662P

E



662P Indexer Capacities						
Stops (S)	Index Period (β)	Motion	B ₁₀ Capacity at 50 RPM (in-lb)	Internal Inertia (lb-in ²)	Model	"A" Center Distance (in.)
1	330	msc.50	5824	138	662P1H48-330	7.729
1.33	330	msc.20	10368	332	662P1.33H64-330	7.729
1.5	270	msc.33	12617	306	662P1.5H64-270	7.729
2	270	msc.33	6811	181	662P2H48-270	7.729
	180	msc.50	11760	204	662P2H56-180	7.729
3	270	ms	8446	166	662P3H48-270	6.628
	180	ms	8506	166	662P3H48-180	7.729
	270	ms	8752	181	662P4H48-270	6.628
4	180	ms	10118	181	662P4H48-180	6.628
	120	ms	9738	181	662P4H48-120	7.729
6	270	ms	12946	166	662P6H48-270 II	6.628
	180	ms	12863	166	662P6H48-180 II	7.729
8	270	ms	13060	181	662P8H48-270 II	6.628
	180	ms	12293	181	662P8H48-180 II	7.729
	120	msc.33	15780	181	662P8H48-120	7.729
12	180	ms	13552		662P12H48-180 II	6.628

Other Motions (stops and index periods) available. Contact your IMC sales representative for more information.

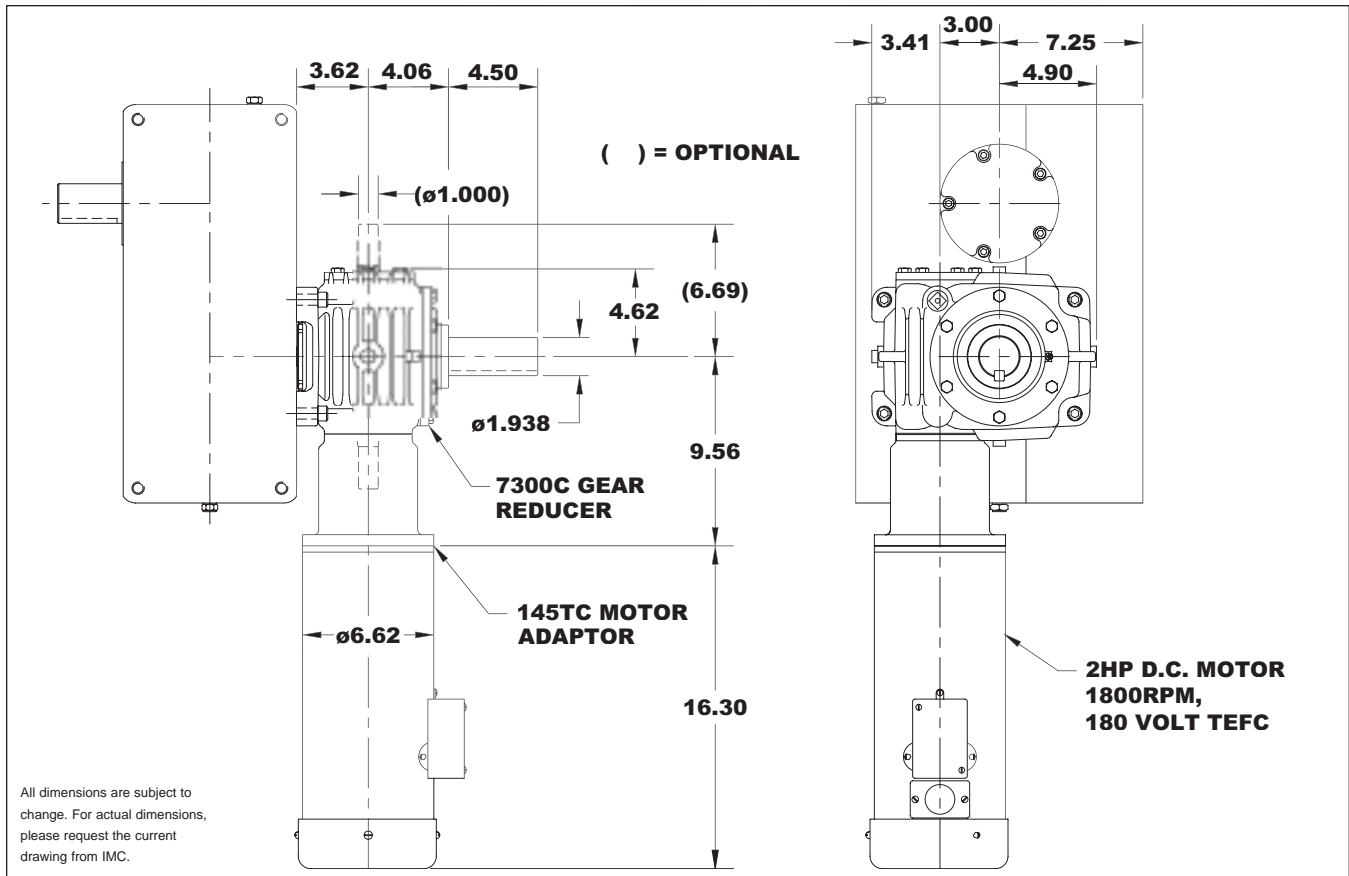
Technical Specifications

Output Load Capacity – loads carried during index

Radial	7,118 lbs
Thrust/Axial	2,042 lbs
Moment	23,562 in.-lbs

Accuracy ±35 arcsec / ±.001" at 6" Radius

Repeatability ±18 arcsec / ±.0005" at 6" Radius



Standard Package

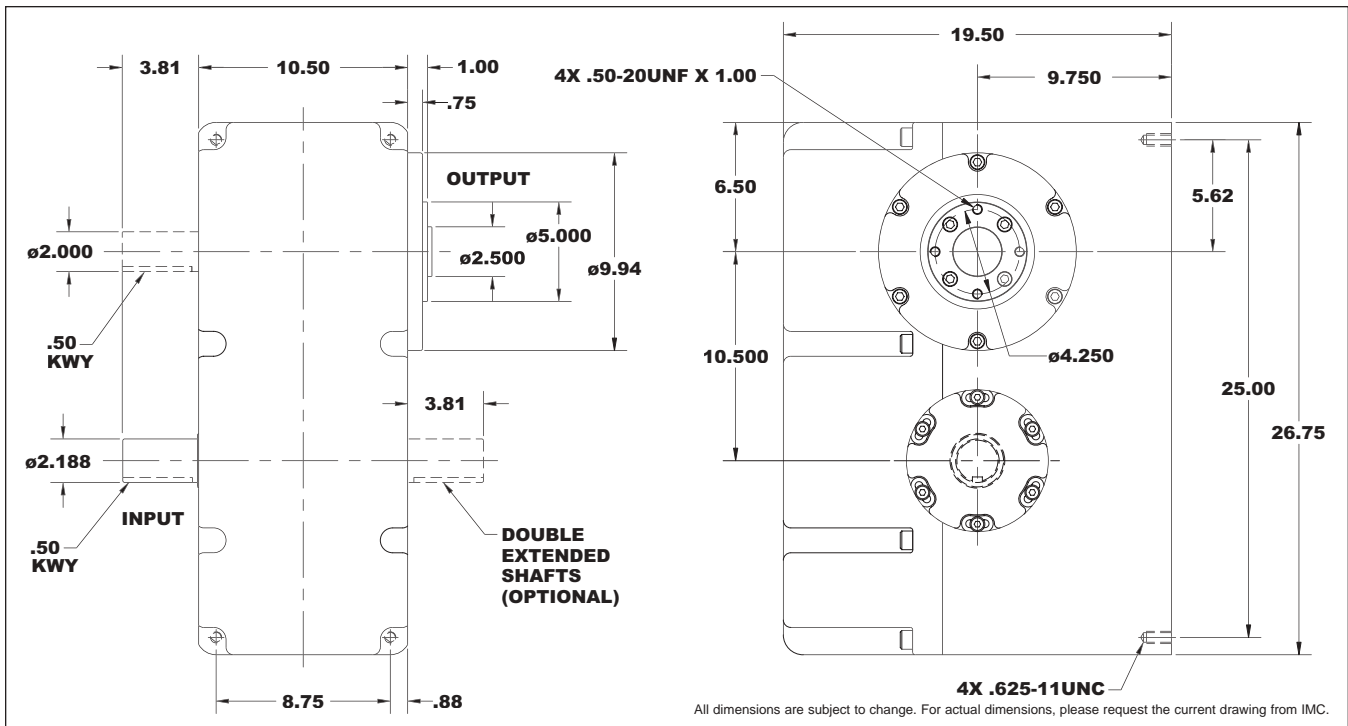
662P Indexer with

- ◆ Single Input Shaft and Single Output Shaft
- ◆ Output horizontal even with input Mounting
- ◆ 7300C Reducer (ratios from 5:1 to 60:1)
 - Motor Adapter and Coupling
- ◆ 2 hp DC motor
- ◆ Varipak DC Motor Control (up to 30 cpm)
- ◆ Single Cycle Cam and Limit Switch

Accessories and Options

- ◆ 1 or 2 hp AC Drive Package with Inverter Duty Motor and Inverter Drive (up to 60 cpm)
- ◆ 7350C or 7400C Reducer (ratios from 5:1 to 60:1) with Motor Adapter and Coupling
- ◆ 1 hp DC Motor
- ◆ Output Overload Clutch Models: 11F, 11FC, 11FC-SD
 - Available Settings (in-lb): 2300, 4000, 6000, 8500, 11000
- ◆ Dual Cycle Cam and Limit Switch
- ◆ Electric Clutch-Brake
- ◆ Air Clutch-Brake
- ◆ Oscillating motion
- ◆ Double Input Shaft
- ◆ Double Output Shaft
- ◆ Output and Input Vertical Mounting
- ◆ 300-IOC or 350-IOC Input Overload Clutch

900P



900P Indexer Capacities

Stops (S)	Index Period (β)	Motion	B ₁₀ Capacity at 50 RPM (in-lb)	Internal Inertia (lb-in ²)	Model	"A" Center Distance (in.)
1	330	msc.50	20204	760	900P1H72-330	10.500
1.33	300	msc.33	32444	1375	900P1.33H96-300	10.500
1.5	330	ms	19950	677	900P1.5H72-330	10.500
2	270	msc.33	23507	760	900P2H72-270	10.500
	180	msc.50	29121	760	900P2H72-180	10.500
3	270	ms	29210	676	900P3H72-270	8.531
	180	ms	29383	676	900P3H72-180	10.500
	270	ms	30195	760	900P4H72-270	8.531
4	180	ms	34917	760	900P4H72-180	8.531
	120	ms	33614	760	900P4H72-120	10.500
6	270	ms	44661	676	900P6H72-270 II	8.531
	180	ms	44381	676	900P6H72-180 II	10.500
8	270	ms	45053	760	900P8H72-270 II	8.531
	180	ms	42408	760	900P8H72-180 II	10.500

Other Motions (stops and index periods) available. Contact your IMC sales representative for more information.

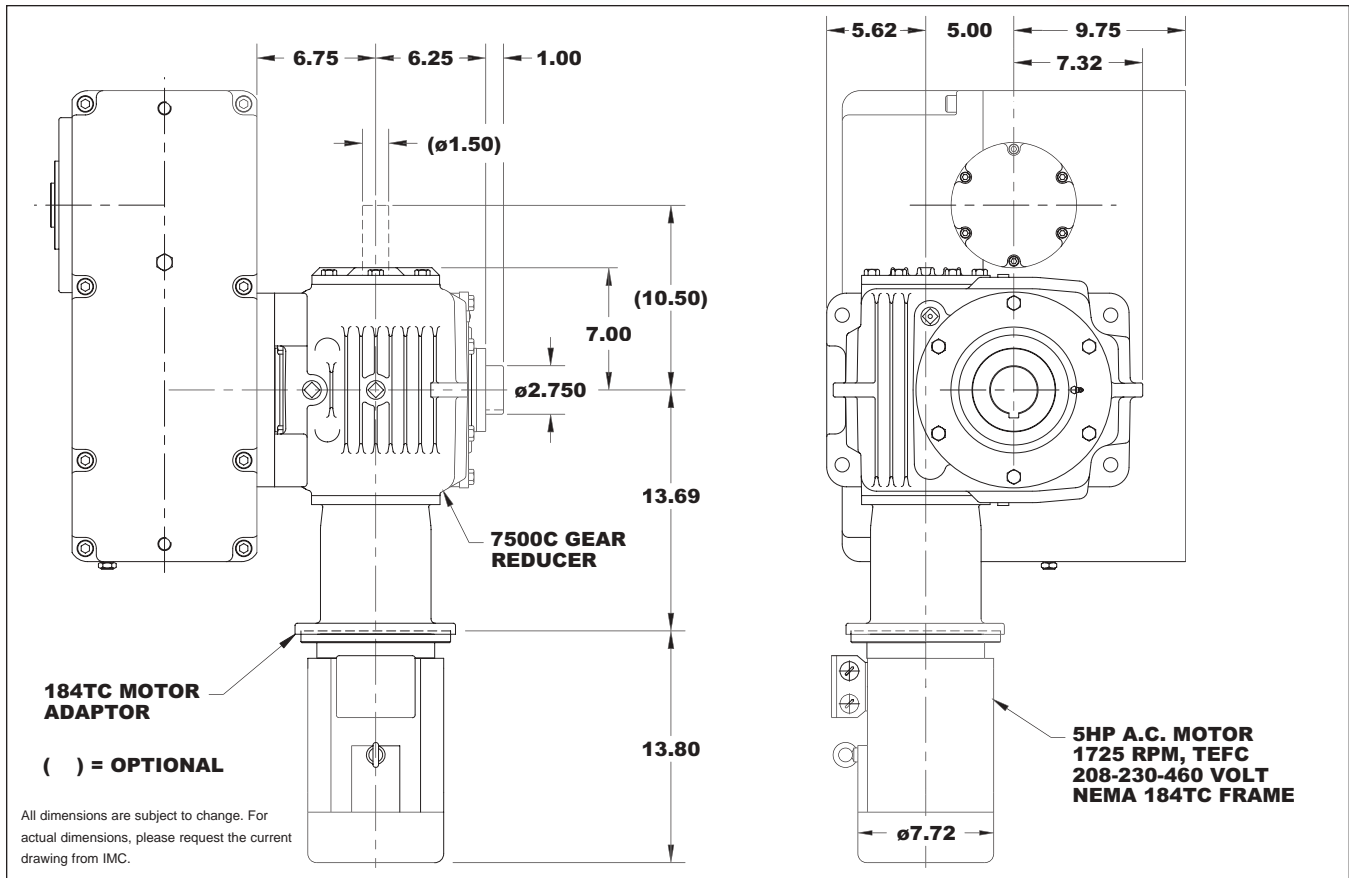
Technical Specifications

Output Load Capacity – loads carried during index

Radial	7,752 lbs
Thrust/Axial	4,036 lbs
Moment	21,318 in.-lbs

Accuracy ± 27 arcsec / $\pm .0008$ " at 6" Radius

Repeatability ± 13 arcsec / $\pm .0004$ " at 6" Radius



Standard Package

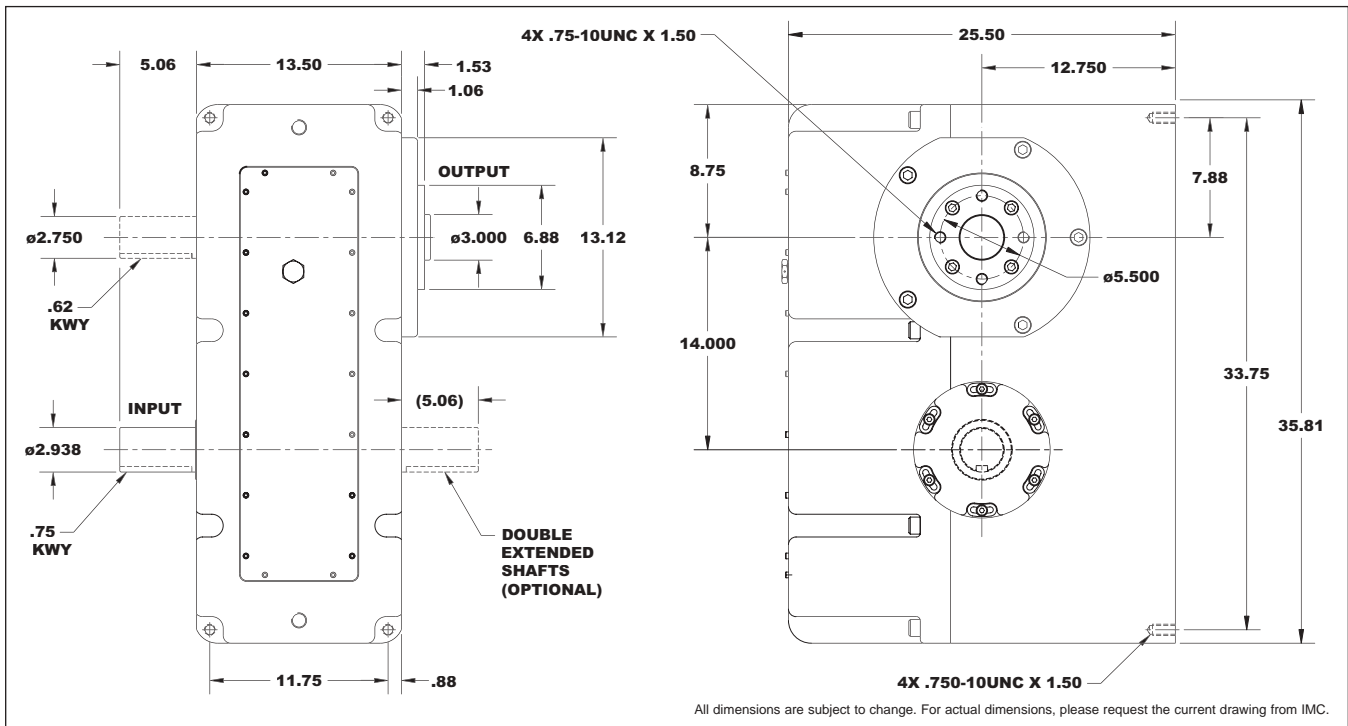
900P Indexer with

- ◆ Single Input Shaft and Single Output Flange
- ◆ Output horizontal even with input Mounting
- ◆ 7500C Reducer (ratios from 5:1 to 60:1)
 - Motor Adapter and Coupling
- ◆ 5 hp AC motor with AC Inverter Drive
- ◆ Single Cycle Cam and Limit Switch

Accessories and Options

- ◆ 7600C Reducer (ratios from 5:1 to 60:1) with Motor Adapter and Coupling
- ◆ Output Overload Clutch Models: 25F, 25FC, 25FC-SD
 - Available Settings (in-lbs): 5000, 7000, 10000, 13000, 15000, 20000, 25000
- ◆ Dual Cycle Cam and Limit Switch
- ◆ Electric Clutch-Brake
- ◆ Air Clutch-Brake
- ◆ 500-IOC or 600-IOC Input Overload Clutch
- ◆ Oscillating motion
- ◆ Double Input Shaft
- ◆ Double Output Shaft
- ◆ Output and Input Vertical Mounting

1200P



1200P Indexer Capacities

Stops (S)	Index Period (β)	Motion	B ₁₀ Capacity at 50 RPM (in-lb)	Internal Inertia (lb-in ²)	Model	"A" Center Distance (in.)
1	330	msc.67	65256	2750	1200P1H112-330	14.000
1.33	330	msc.33	54336	3160	1200P1.33H112-330	14.000
1.5	330	ms	53245	2750	1200P1.5H112-330	14.000
2	270	msc.33	48376	2733	1200P2H96-270	14.000
	180	msc.50	59931	2733	1200P2H96-180	14.000
3	270	ms	52475	2209	1200P3H96-270	14.000
	180	ms	60331	2209	1200P3H96-180	14.000
	270	ms	62136	2733	1200P4H96-270	11.375
4	180	ms	71862	2733	1200P4H96-180	11.375
	120	ms	69180	2733	1200P4H96-120	14.000
	90	ms	65585	2733	1200P4H96-90	14.000
6	270	ms	91896	2209	1200P6H96-270 II	11.375
	180	ms	91323	2209	1200P6H96-180 II	14.000
8	270	ms	92706	2733	1200P8H96-270 II	11.375
	180	ms	87266	2733	1200P8H96-180 II	14.000
	120	msc.33	96303	2733	1200P8H96-120 II	14.000

Other Motions (stops and index periods) available. Contact your IMC sales representative for more information.

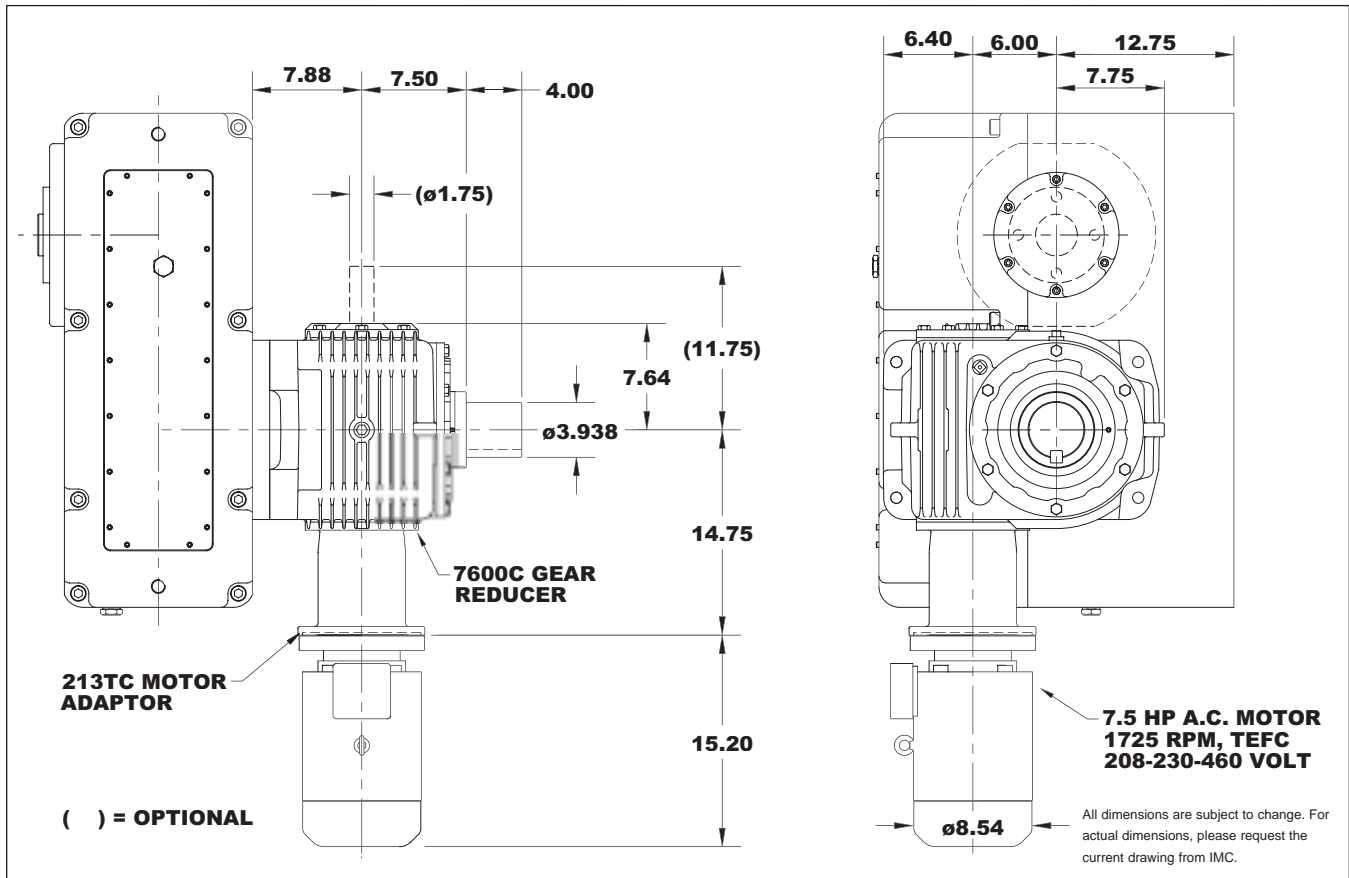
Technical Specifications

Output Load Capacity – loads carried during index

Radial	11,709 lbs
Thrust/Axial	8,822 lbs
Moment	40,250 in.-lbs

Accuracy ±20 arcsec / ±.0006" at 6" Radius

Repeatability ±10 arcsec / ±.0003" at 6" Radius



Standard Package

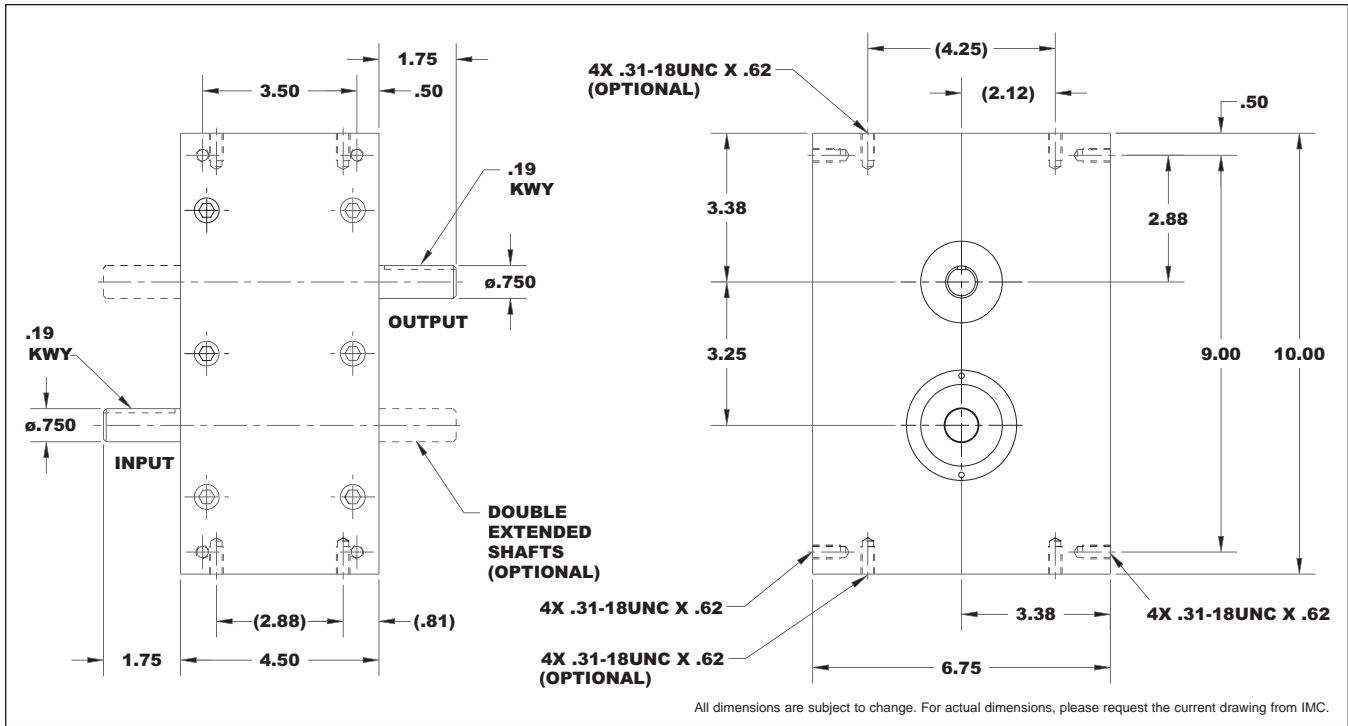
1200P Indexer with

- ◆ Single Input Shaft and Single Output Flange
- ◆ Output horizontal even with input Mounting
- ◆ 7600C Reducer (ratios from 5:1 to 60:1)
 - Motor Adapter and Coupling
- ◆ 7.5 hp AC Motor and AC Inverter Drive
- ◆ Single Cycle Cam and Limit Switch

Accessories and Options

- ◆ Output Overload Clutch Models: 41F, 41FC, 41FC-SD
 - Available Settings (in-lbs): 13000, 21000, 30000, 41000
- ◆ Dual Cycle Cam and Limit Switch
- ◆ Electric Clutch-Brake
- ◆ Air Clutch-Brake
- ◆ 600-IOC Input Overload Clutch
- ◆ Oscillating motion
- ◆ Double Input Shaft
- ◆ Double Output Shaft
- ◆ Output and Input Vertical Mounting

P325



P325 Indexer Capacities

Stops (S)	Index Period (β)	Motion	B ₁₀ Capacity at 50 RPM (in-lb)	Internal Inertia (lb-in ²)	Model
1	330	msc.50	817	3	P325-8/8-FY75-330
2	270	ms	854	3	P325-8/4-FY75-270
	180	msc.30	1007	3	P325-8/4-FY75-180
3	270	ms	980	3	P325-6/2-FY75-270
	180	ms	1081	3	P325-6/2-FY75-180
	270	ms	949	3	P325-8/2-FY75-270
4	180	ms	1075	3	P325-8/2-FY75-180
	120	ms	1195	3	P325-8/2-FY75-120
	90	msc.30	1315	3	P325-8/2-FY75-90
	270	ms	1204	3	P325-6-FY75-135/135
6	180	ms	1336	3	P325-6-FY75-90/90
	270	ms	1026	3	P325-8-FY75-135/135
8	180	ms	1169	3	P325-8-FY75-90/90
	120	ms	1313	3	P325-8-FY75-60/60

Other Motions (stops and index periods) available. Contact your IMC sales representative for more information.

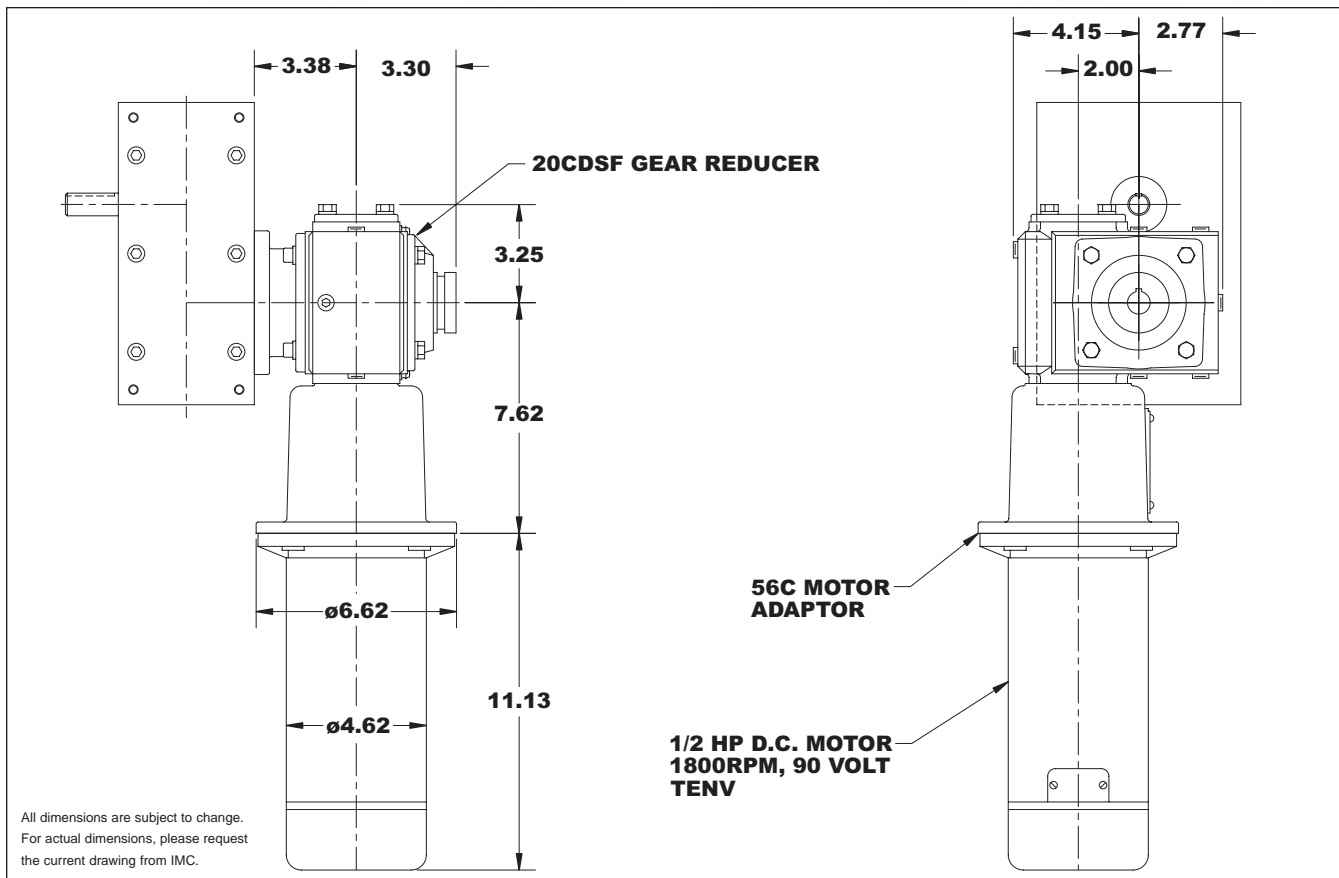
Technical Specifications

Output Load Capacity – loads carried during index

Radial	710 lbs
Thrust/Axial	35 lbs
Moment	1,243 in.-lbs

Accuracy ± 73 arcsec / $\pm .001"$ at 3" Radius

Repeatability ± 38 arcsec / $\pm .0004"$ at 3" Radius



E

Standard Package

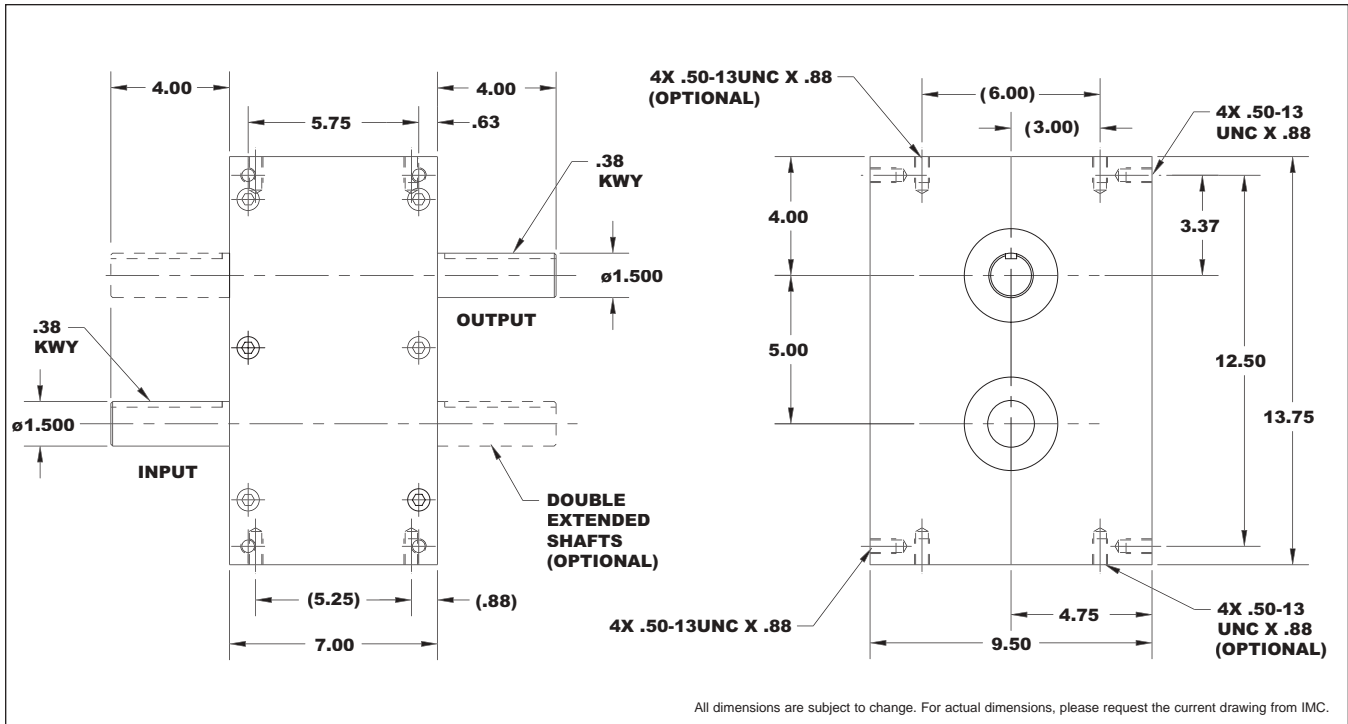
P325 Indexer with

- ◆ Single Input Shaft and Single Output Shaft
- ◆ Output horizontal even with input Mounting
- ◆ 20CDSF Reducer (ratios from 5:1 to 60:1)
 - 56C Motor Adapter and Coupling
- ◆ 1/2 hp DC motor
- ◆ Varipak DC Motor Control (up to 30 cpm)
- ◆ Single Cycle Cam and Limit Switch

Accessories and Options

- ◆ 1/2 hp AC Drive Package with Inverter Duty Motor and Inverter Drive (up to 60 cpm)
- ◆ Output Overload Clutch Models: RT3 S/S, RT3 S/F
 - Available Settings, Adjustable Ranges (in-lb): 100-175, 175-275, 250-350, 325-500
- ◆ Dual Cycle Cam and Limit Switch
- ◆ Electric Clutch-Brake
- ◆ Oscillating motion
- ◆ Double Input Shaft
- ◆ Double Output Shaft
- ◆ Output and Input Vertical Mounting

P500



P500 Indexer Capacities

Stops (S)	Index Period (β)	Motion	B ₁₀ Capacity at 50 RPM (in-lb)	Internal Inertia (lb-in ²)	Model
1	330	msc.50	3975	65	P50000-8/8-FY150-330
2	270	ms	4153	69	P500-8/4-FY150-270
	180	msc.20	4893	69	P500-8/4-FY150-180
3	270	ms	4759	65	P500-6/2-FY150-270
	180	ms	5252	65	P500-6/2-FY150-180
	270	ms	4605	69	P500-8/2-FY150-270
4	180	ms	5226	69	P500-8/2-FY150-180
	120	ms	5828	69	P500-8/2-FY150-120
	90	msc.30	6397	69	P500-8/2-FY150-90
	270	ms	5847	65	P500-6-FY150-135/135
6	180	ms	6485	65	P500-6-FY150-90/90
	150	msc.30	10045	65	P50000-6-FY150-150
8	270	ms	4984	69	P500-8-FY150-135/135
	180	ms	5672	69	P500-8-FY150-90/90
	120	ms	6371	69	P500-8-FY150-60/60

Other Motions (stops and index periods) available. Contact your IMC sales representative for more information.

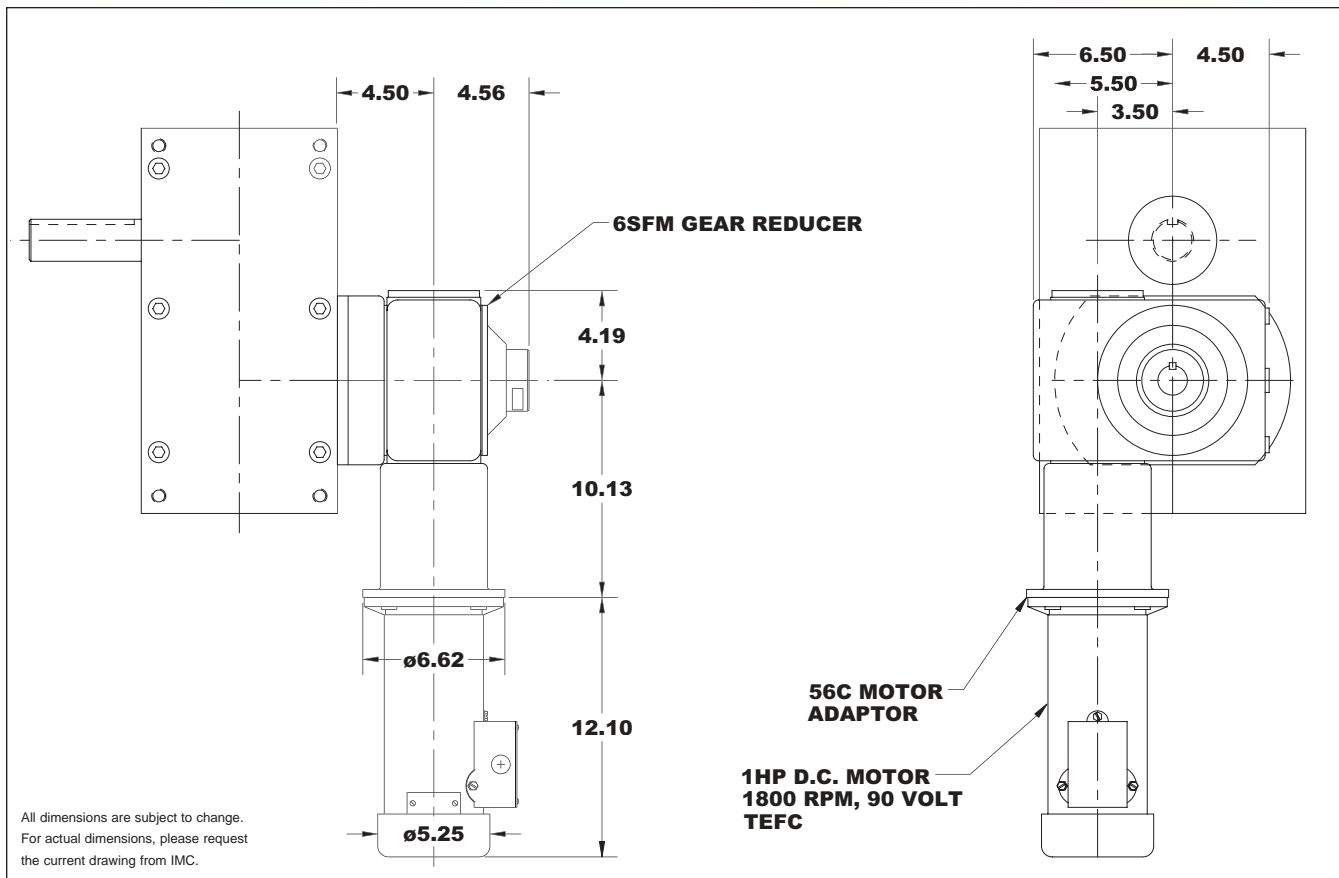
Technical Specifications

Output Load Capacity – loads carried during index

Radial	2,485 lbs
Thrust/Axial	129 lbs
Moment	9,940 in.-lbs

Accuracy ± 50 arcsec / $\pm .0007''$ at 3" Radius

Repeatability ± 24 arcsec / $\pm .0003''$ at 3" Radius



Standard Package

P500 Indexer with

- ◆ Single Input Shaft and Single Output Shaft
- ◆ Output horizontal even with input Mounting
- ◆ 6SFM Reducer (ratios from 5:1 to 60:1)
 - 56C Motor Adapter and Coupling
- ◆ 1 hp DC motor
- ◆ Varipak DC Motor Control (up to 30 cpm)
- ◆ Single Cycle Cam and Limit Switch

Accessories and Options

- ◆ 1 or 1.5 hp AC Drive Package with Inverter Duty Motor and Inverter Drive (up to 60 cpm)
- ◆ Output Overload Clutch Models: RT6 S/S, RT6 S/F
 - Available Settings, Adjustable Ranges (in-lb): 1000-2700, 2500-5000, 4000-8500
- ◆ Dual Cycle Cam and Limit Switch
- ◆ Electric Clutch-Brake
- ◆ Air Clutch-Brake
- ◆ Oscillating motion
- ◆ Double Input Shaft
- ◆ Double Output Shaft
- ◆ Output and Input Vertical Mounting

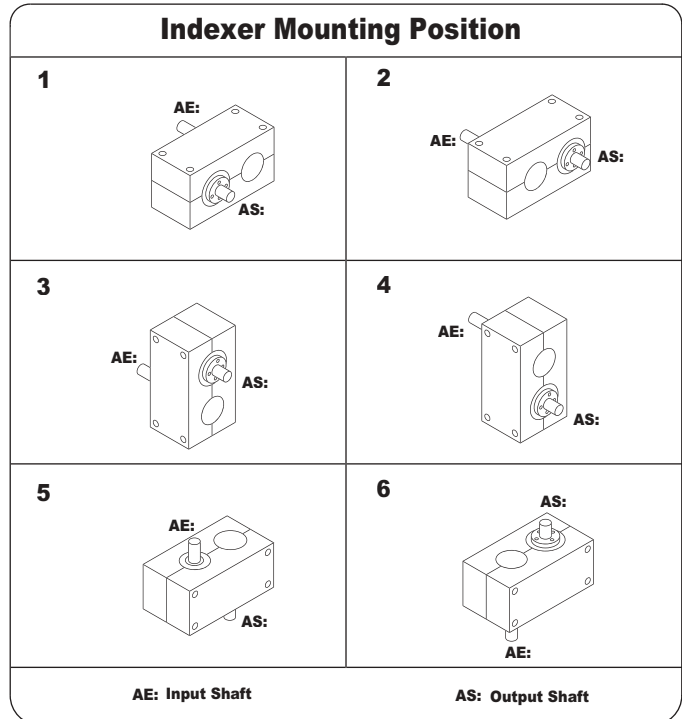
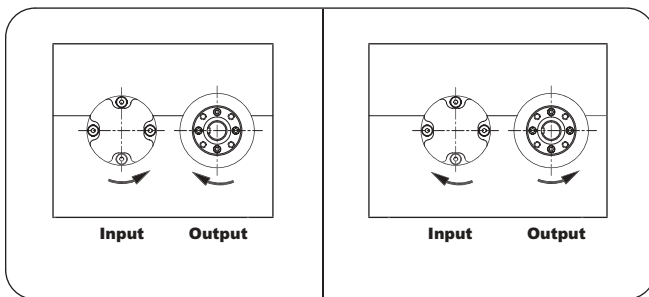
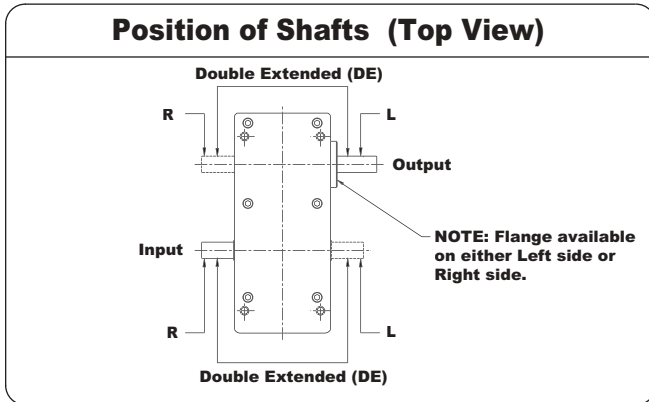
E

Indexer Ordering Procedure

1. Input Assembly: Right, Left or Double (DE)
2. Output Assembly: Right, Left or Double (DE).
 - ◆ Flanged output is primary output. For Double Output, specify whether flanged output is on right or left side.

NOTE: Input may rotate in either direction to achieve desired direction of output rotation.

3. Mounting Position: 1-6



Reducer Ordering Procedure

1. Model
2. Ratio: 5:1, 10:1, 15:1, 20:1, 25:1, 30:1, 40:1, 50:1, 60:1
3. Motor Adapter

4. Reducer Input Shaft Extension: Single Input (SE) or Double Input (DE)
5. Mounting (see diagram below)

