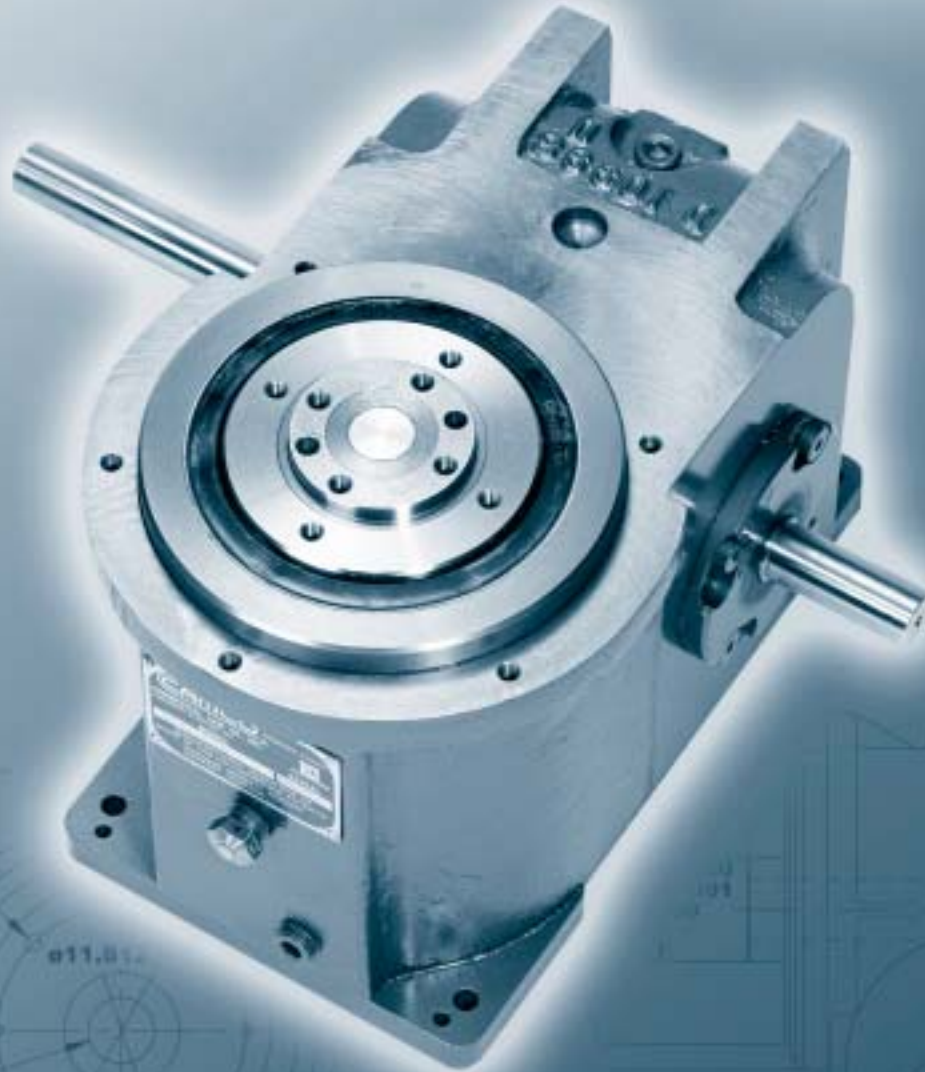


# RD & Intermittor Index Drives



4X  $\phi$ .469 X .88

8X .38-16UNC

4X .38-16UNC

2X  $\phi$ .344 X .50

( $\phi$ 2.00 THRU)

.312  
KWY.

1X  $\phi$ 1.3750



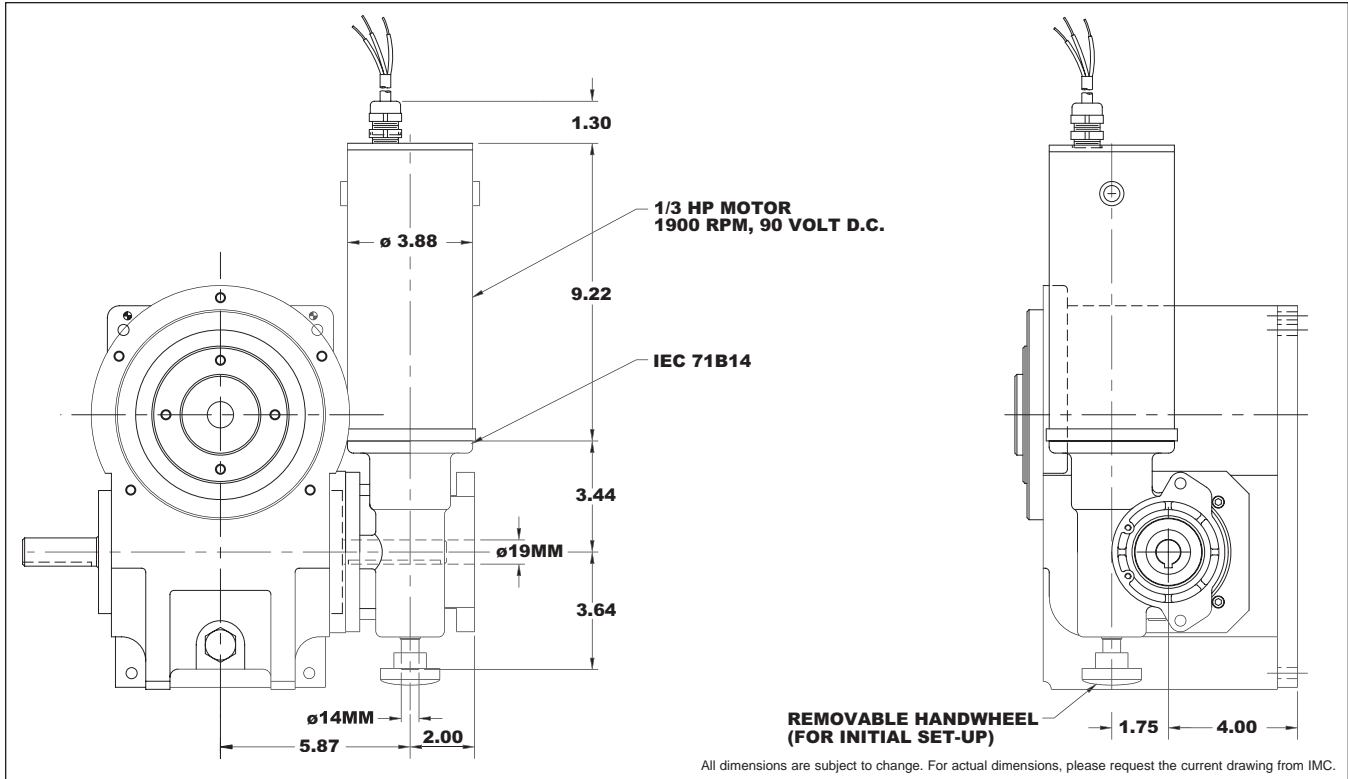
## Features

IMC Roller Dial Index Drives offer superior load capabilities making them ideal for medium to high torque applications. Other features include:

- ◆ Short camshaft motion periods, due to oversized roller gear cam design, are well suited for continuous running applications or for special motion requirements such as oscillating motions.
- ◆ Universal mounting including a horizontal mounting ideal for trunion applications.
- ◆ Option Center Thru-Hole facilitates passage of electrical wiring, pneumatic lines or mechanical linkages.
- ◆ Optional Stationary Center Post with Thru Hole provides mounting for upper tool plate.

The RD and Intermittor Series Index Drives have a robust, flexible design with features ideal for continuous-running applications and applications requiring complex motions.





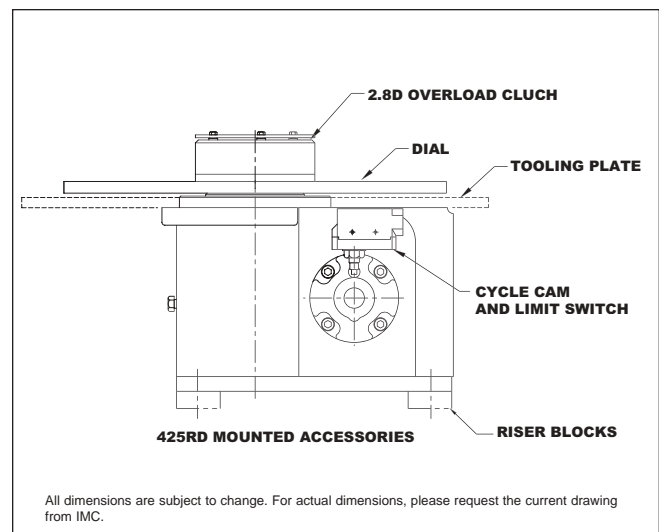
## Standard Package

### 425RD Indexer with

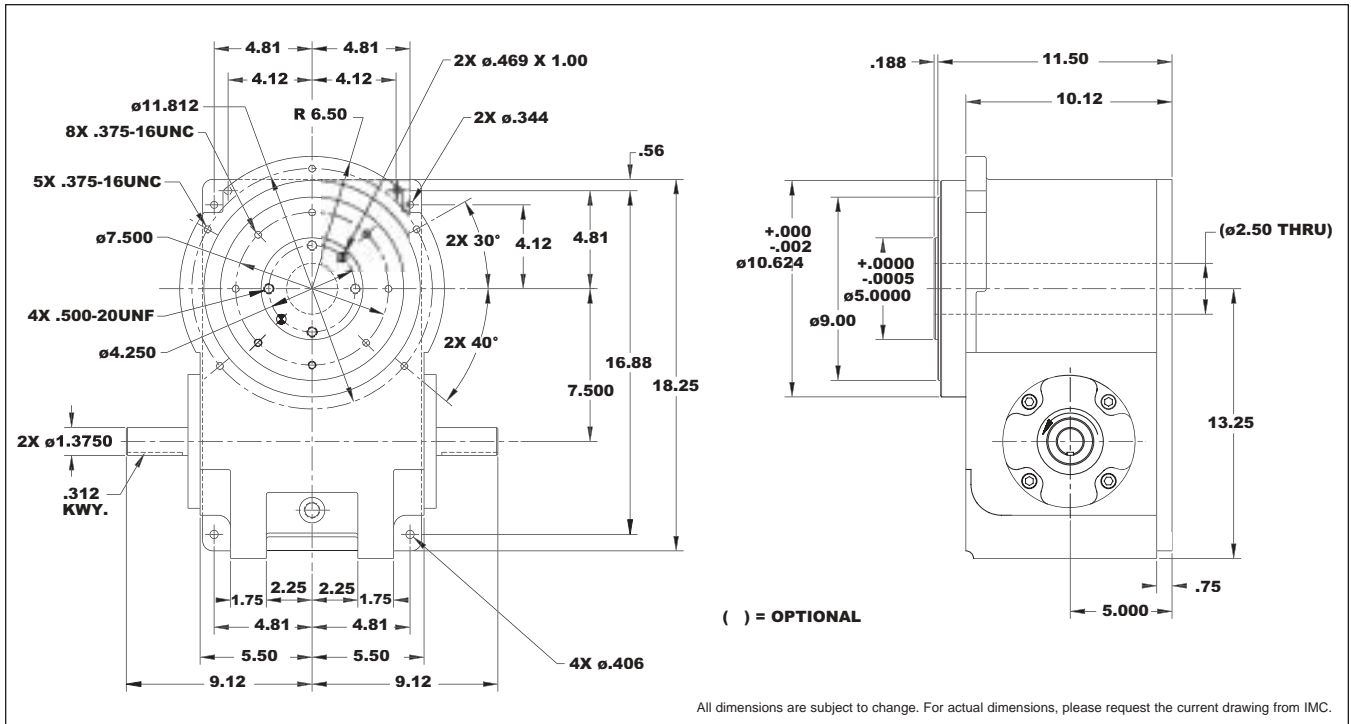
- ◆ R180 Reducer (ratios from 5:1 to 60:1)
  - Double Extended Worm Shaft (Input)
  - Worm Shaft Handwheel
- ◆ Double Extended Camshaft (Input Shaft)
- ◆ 1/3 hp DC Motor
- ◆ Varipak DC Motor Control (up to 30 cpm)
- ◆ Cycle Cam and Limit Switch Mounted to Camshaft
- ◆ Right Hand Cam

## Optional Accessories

- ◆ 1/3 hp AC Drive Package with Inverter Duty Motor and Inverter Drive (up to 60 cpm)
- ◆ R225 Reducer with 1 hp AC or DC Motor (ratios of 5:1 to 60:1)
- ◆ 2.8D Output Overload Clutch
  - Available Settings (in-lbs): 400, 480, 700, 850, 1100, 1300, 1800, 2200, 3100
- ◆ Center Thru Hole (0.81 in. Diameter)
- ◆ Stationary Center Post
- ◆ Dual Cam and Limit Switch
- ◆ Electric Clutch-Brake
- ◆ 180IOC or 225IOC Input OLC
- ◆ Left Hand Cam
- ◆ Relief in Dwell for shot-pin applications
- ◆ Universal Mounting Capability
- ◆ Custom Dial Plate



# 800RD



800RD Indexer Capacities					
Stops (S)	Index Period ( $\beta$ )	Motion	B <sub>10</sub> Capacity at 50 RPM (in-lb)	Internal Inertia (lb-in <sup>2</sup> )	Model
2.0	270	msc.33	18,008	664	800RD2H64-270 MSC .33
3.0	270	ms	18,653	664	800RD3H64-270
	180	ms	19,387	664	800RD3H64-180
4.0	270	ms	22,261	714	800RD4H64-270
	180	ms	17,874	714	800RD4H56-180
	270	ms	19,416	664	800RD6H64-270
6.0	180	ms	21,422	664	800RD6H64-180
	120	ms	23,000	664	800RD6H64-120
	270	ms	22,016	714	800RD8H64-270
8.0	180	ms	24,499	714	800RD8H64-180
	120	ms	26,708	714	800RD8H64-120
	270	ms	13,394	639	800RD12H48-270
12.0	180	ms	15,016	639	800RD12H48-180
	120	ms	12,735	581	800RD12H40-120
	270	ms	30,320	664	800RD16H64-270 II
16.0	180	ms	33,885	664	800RD16H64-180 II
	120	ms	36,987	664	800RD16H64-120 II
	270	ms	18,205	639	800RD24H48-270 II
24.0	180	ms	20,610	639	800RD24H48-180 II
	120	ms	17,394	581	800RD24H40-120 II

Other Motions (stops and index periods) available. Contact your IMC sales representative for more information.

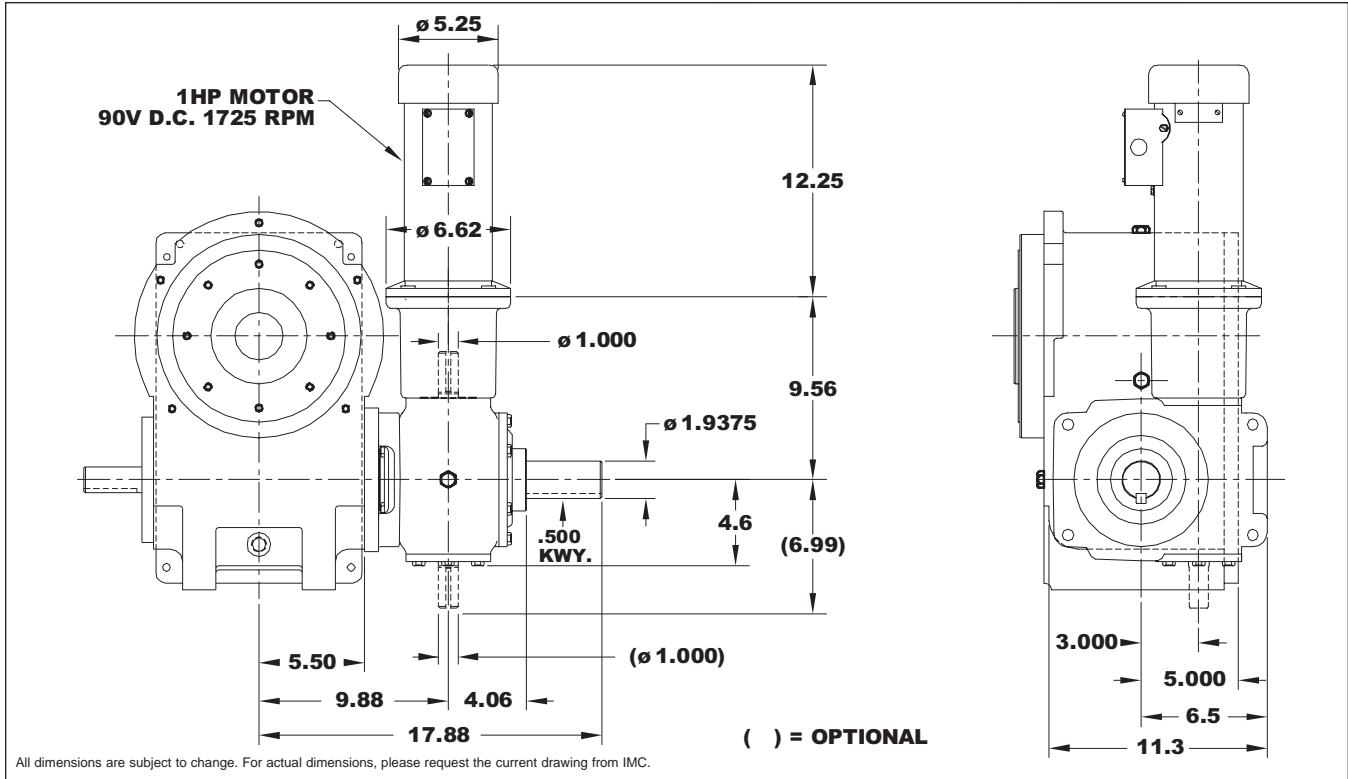
## Technical Specifications

### Output Load Capacity – loads carried during index

Radial	4,900 lbs
Thrust/Axial	3,500 lbs
Moment	22,300 in.-lbs

**Accuracy** ±30 arcsec / ±.004" at 24" Radius

**Repeatability** ±8 arcsec / ±.0009" at 24" Radius



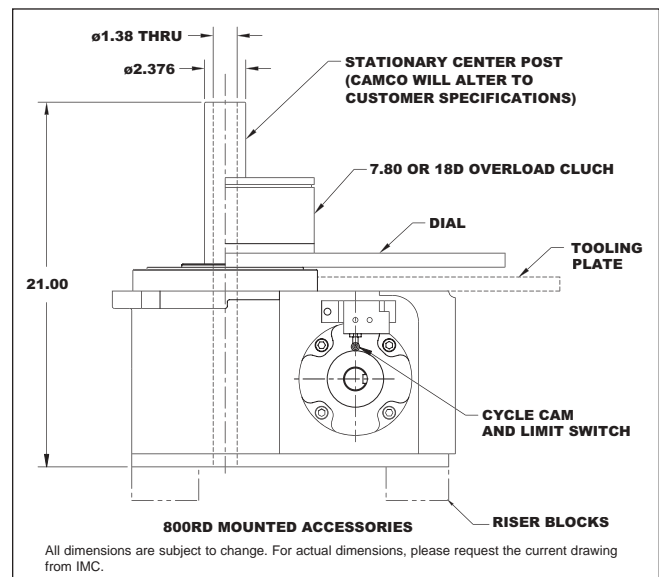
## Standard Package

### 800RD Indexer with

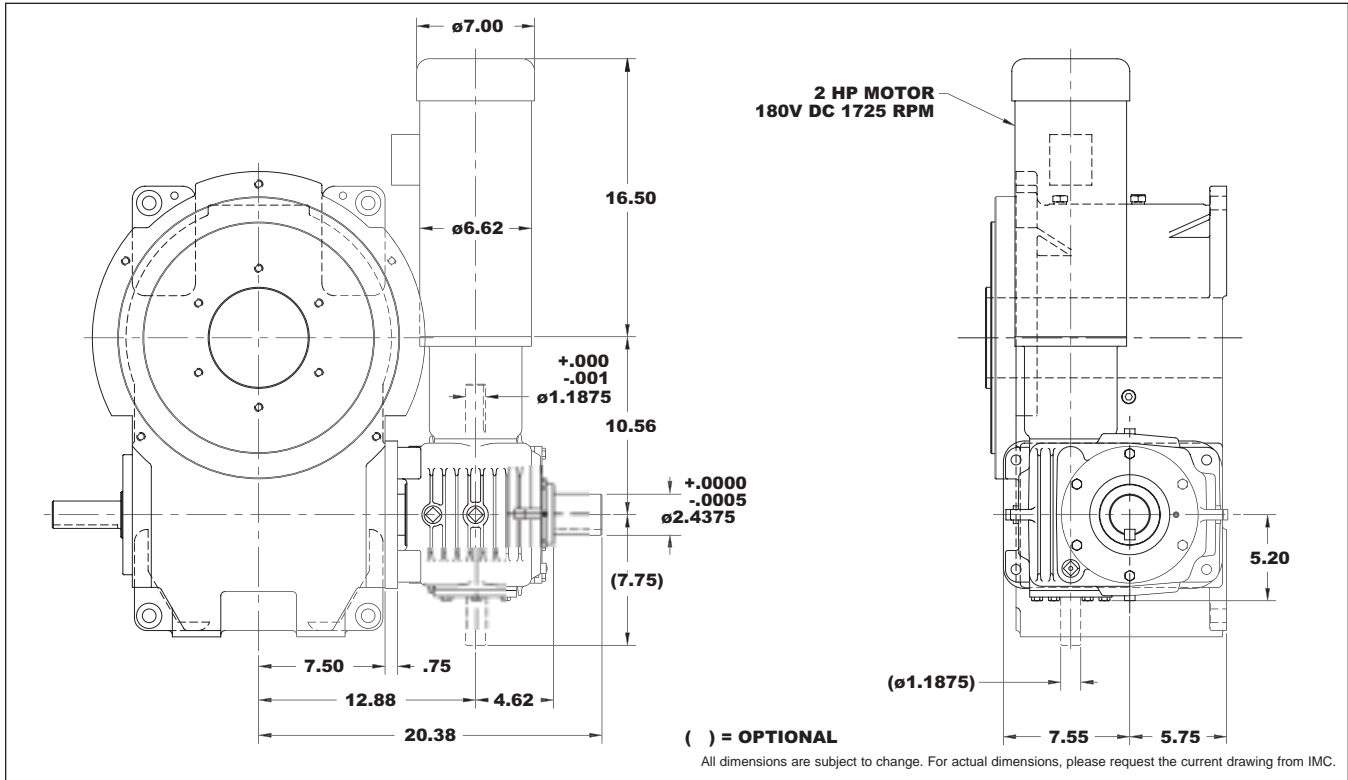
- ◆ 7300C Reducer (Ratios from 5:1 to 60:1)
  - Double Extended Worm Shaft (Input)
  - Motor Adapter and Coupling
- ◆ Double Extended Camshaft (Input Shaft)
- ◆ 1 hp DC Motor
- ◆ Varipak DC Motor Control (up to 30 cpm)
- ◆ Cycle Cam and Limit Switch Mounted to Camshaft
- ◆ Right Hand Cam

## Optional Accessories

- ◆ 1 hp AC Drive Package with Inverter Duty Motor and Inverter Drive (up to 60 cpm) [change]
- ◆ 7350C Reducer (ratios from 5:1 to 60:1) with 1 hp AC or DC Motor
- ◆ Output Overload Clutch model 7.8D
  - Available Settings (in-lbs): 1400, 1700, 2600, 3200, 4200, 5000, 7200, 10,000
- ◆ Output Overload Clutch model 18D
  - Available Settings (in-lbs): 5000, 7000, 7800, 10,000, 12,000, 16,000, 19,000, 21,000, 27,000, 42,000, 45,000
- ◆ Center Thru Hole (2.50 in. Diameter)
- ◆ Stationary Center Post
- ◆ Dual Cam and Limit Switch
- ◆ Electric Clutch-Brake
- ◆ Air Clutch-Brake
- ◆ 300IOC or 350IOC Input OLC
- ◆ Left Hand Cam
- ◆ Relief in Dwell for shot-pin applications
- ◆ Universal Mounting Capability
- ◆ Custom Dial Plate







## Standard Package

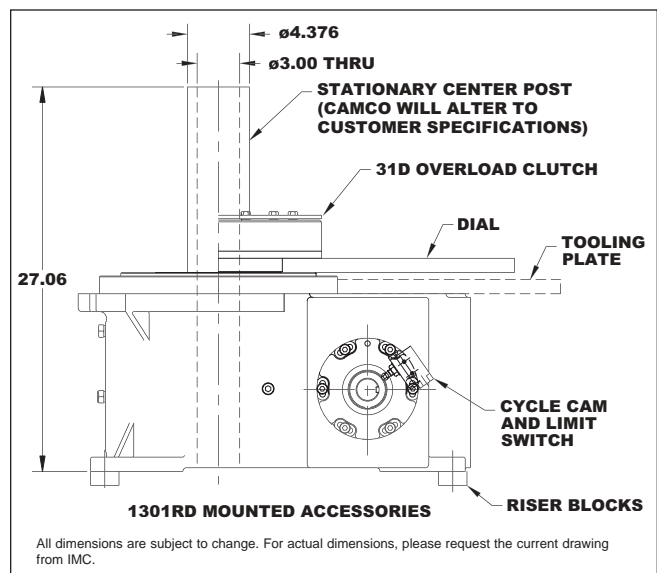
### 1301RD Indexer with

- ◆ 7350C Reducer (Ratios from 5:1 to 60:1)
  - Double Extended Worm Shaft (Input)
  - Motor Adapter and Coupling
- ◆ Double Extended Camshaft (Input Shaft)

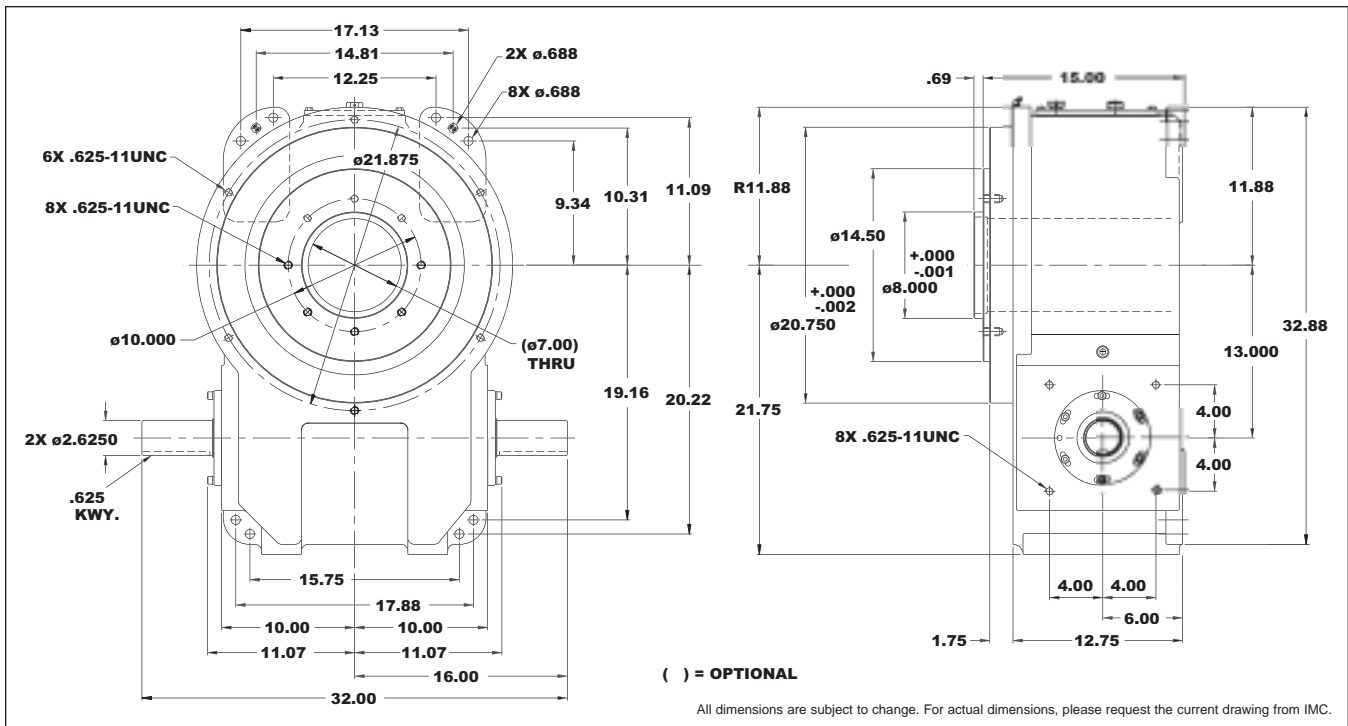
- ◆ 2 hp DC Motor
- ◆ Varipak DC Motor Control (up to 30 cpm)
- ◆ Cycle Cam and Limit Switch Mounted to Camshaft
- ◆ Right Hand Cam

## Optional Accessories

- ◆ 2 hp AC Drive Package with Inverter Duty Motor and Inverter Drive (up to 60 cpm)
- ◆ 7400C Reducer (Ratios from 5:1 to 60:1) with Motor Adapter and Coupling
- ◆ Output Overload Clutch model 31D
  - Available Settings (in-lbs): 8500, 13,000, 20,000, 31,000
- ◆ Center Thru Hole (4.75 in. Diameter)
- ◆ Stationary Center Post
- ◆ Dual Cam and Limit Switch
- ◆ Electric Clutch-Brake
- ◆ Air Clutch-Brake
- ◆ 350IOC or 400IOC Input OLC
- ◆ Left Hand Cam
- ◆ Relief in Dwell for shot-pin applications
- ◆ Universal Mounting Capability
- ◆ Custom Dial Plate



# 1801RD



1801RD Indexer Capacities					
Stops (S)	Index Period ( $\beta$ )	Motion	B <sub>10</sub> Capacity at 50 RPM (in-lb)	Internal Inertia (lb-in <sup>2</sup> )	Model
2.0	330	msc.67	50,905	6,718	1801RD2H64-330 MSC .67
3.0	270	msc.33	48,963	6,718	1801RD3H64-270 MSC .33
4.0	270	ms	40,633	6,718	1801RD4H64-270
	180	msc.50	57,344	6,718	1801RD4H64-180 MSC .50
6.0	270	ms	92,427	7,672	1801RD6H80-270
	180	msc.50	120,548	7,672	1801RD6H80-180 MSC .50
	120	msc.50	90,444	6,718	1801RD6H64-120 MSC .50
8.0	270	ms	66,038	7,090	1801RD8H64-270
	180	msc.33	80,281	7,090	1801RD8H64-180 MSC .33
	120	msc.33	61,376	6,222	1801RD8H56-120 MSC .33
12.0	270	ms	125,722	8,963	1801RD12H96-270
	180	ms	141,136	8,963	1801RD12H96-180
	120	ms	112,949	7,672	1801RD12H80-120
16.0	270	ms	94,125	8,371	1801RD16H80-270
	180	msc.33	118,052	7,090	1801RD16H80-180 MSC .33
	120	ms	80,638	7,090	1801RD16H64-120
24.0	270	ms	170,392	8,963	1801RD24H96-270 II
	180	ms	191,240	8,963	1801RD24H96-180 II
	120	ms	141,038	7,672	1801RD24H80-120 II

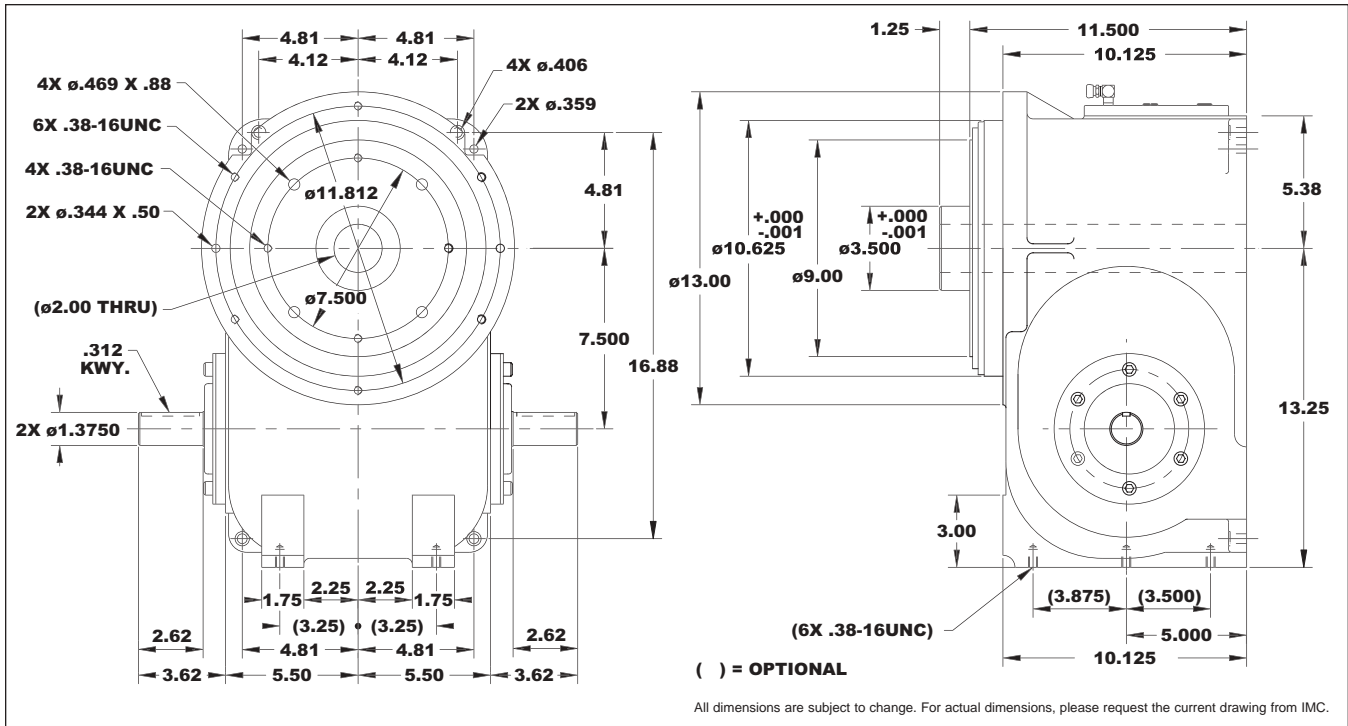
Other Motions (stops and index periods) available. Contact your IMC sales representative for more information.

## Technical Specifications

<b>Output Load Capacity – loads carried during index</b>	<b>Accuracy</b>	$\pm 27$ arcsec / $\pm 0.0063''$ at 48" Radius
Radial	14,800 lbs	<b>Repeatability</b>
Thrust/Axial	12,600 lbs	$\pm 7$ arcsec / $\pm 0.0016''$ at 48" Radius
Moment	107,000 in.-lbs	



# 122 Intermittor



## 122 Indexer Capacities

Stops (S)	Index Period ( $\beta$ )	Motion	B <sub>10</sub> Capacity at 50 RPM (in-lb)	Internal Inertia (lb-in <sup>2</sup> )	Model
2	300	ms	14,777	441	122-6/3-F200-300
3	270	msc.15	16,231	441	122-6/3-F200-270
	180	msc.30	22,489	441	122-6/2-F200-180
4	270	ms	21,722	587	122-8/2-F200-270
	180	msc.50	28,806	587	122-8/2-F200-180
6	270	ms	19,416	441	122-6-F200-270
	180	ms	21,422	441	122-6-F200-180
	120	ms	23,000	441	122-6-F200-120
8	270	ms	21,823	587	122-8-F200-270
	180	ms	24,247	587	122-8-F200-180
	120	ms	26,430	587	122-8-F200-120
12	270	ms	13,831	530	122-12-F150-270
	180	ms	15,474	529	122-12-F150-180
	120	ms	17,061	529	122-12-F150-120
16	270	ms	30,570	587	122-8X2-F200-135/135
	180	ms	34,118	587	122-8X2-F200-90/90
	120	ms	37,156	587	122-8X2-F200-60/60
24	270	ms	19,127	529	122-12X2-F150-135/135
	180	ms	21,515	529	122-12X2-F150-90/90
	120	ms	23,814	529	122-12X2-F150-60/60

Other Motions (stops and index periods) available. Contact your IMC sales representative for more information.

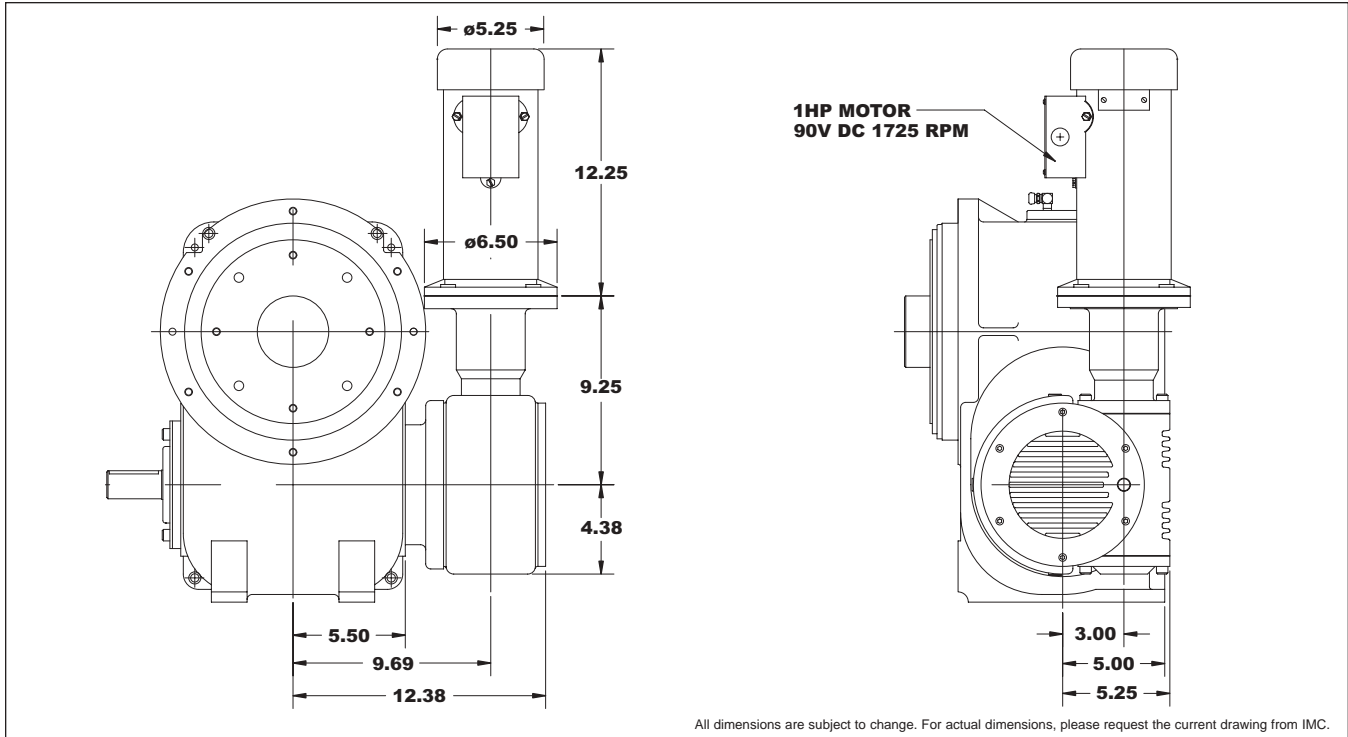
## Technical Specifications

### Output Load Capacity – loads carried during index

Radial	4,800 lbs
Thrust/Axial	3,000 lbs
Moment	21,600 in.-lbs

**Accuracy** ±30 arcsec / ±.004" at 24" Radius

**Repeatability** ±8 arcsec / ±.0009" at 24" Radius



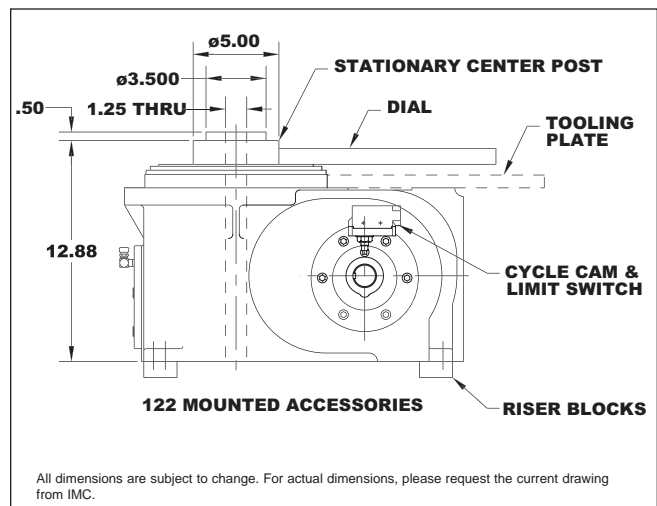
**Standard Package**

**122 Intermittor Indexer with**

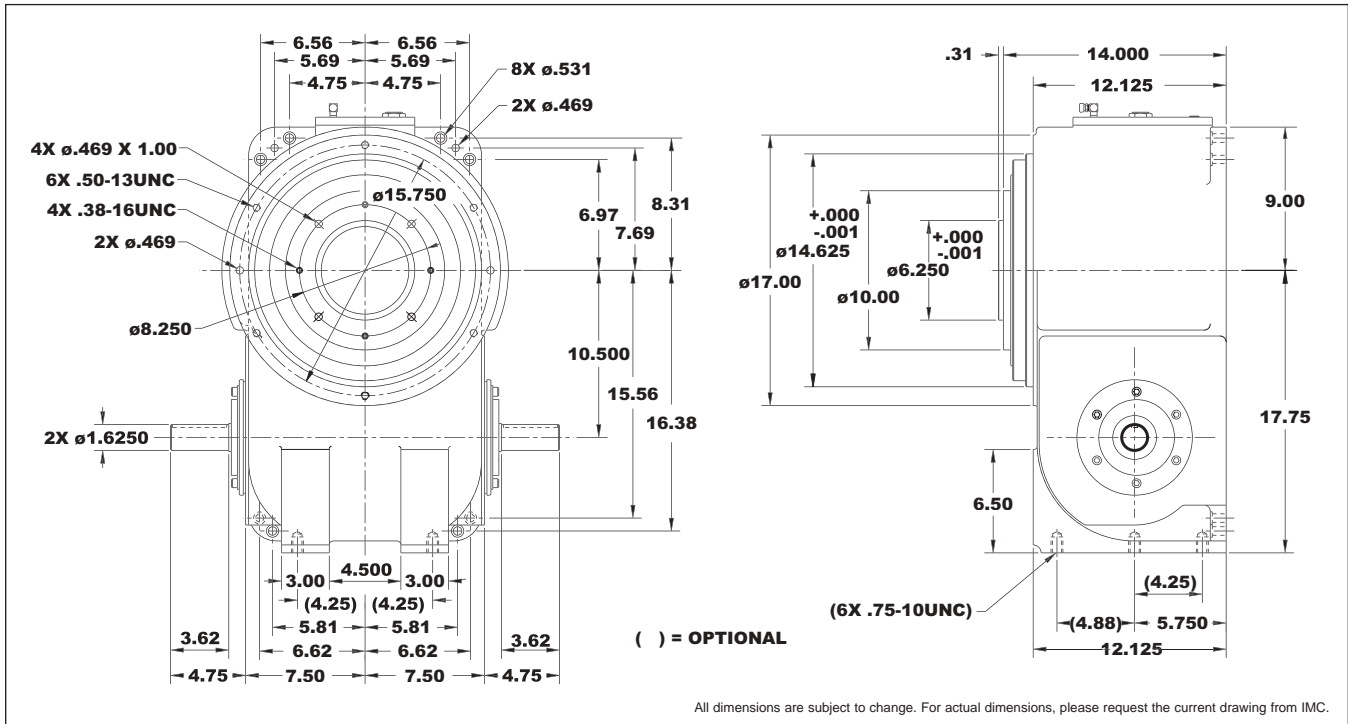
- ◆ R3 Reducer (Ratios from 5:1 to 60:1)
  - Double Extended Worm Shaft (Input)
  - Motor Adapter and Coupling
- ◆ Double Extended Camshaft (Input Shaft)
- ◆ 1 hp DC Motor
- ◆ Varipak DC Motor Control (up to 30 cpm)
- ◆ Cycle Cam and Limit Switch Mounted to Camshaft
- ◆ Right Hand Cam

**Optional Accessories**

- ◆ 1 or 1.5 hp AC Drive Package with Inverter Duty Motor and Inverter Drive (up to 60 cpm)
- ◆ 1.5 hp DC motor
- ◆ R4 Reducer (Ratios from 5:1 to 60:1)
- ◆ Output Overload Clutch model RT8D or RT8DF
  - Available Adjustable Settings (in-lbs): 4000-9500, 6000-15,500
- ◆ Center Thru Hole (1.25 in. Diameter)
- ◆ Stationary Center Post
- ◆ Dual Cam and Limit Switch
- ◆ Electric Clutch-Brake
- ◆ Air Clutch-Brake
- ◆ Left Hand Cam
- ◆ Relief in Dwell for shot-pin applications
- ◆ Custom Dial Plate



# 242 Intermittor



## 242 Indexer Capacities

Stops (S)	Index Period (β)	Motion	B <sub>10</sub> Capacity at 50 RPM (in-lb)	Internal Inertia (lb-in <sup>2</sup> )	Model
2	330	m.s.c.50	42,334	2,083	242-6/3-F250-330
3	300	m.s.c.30	32,163	2,083	242-12/4-F200-300
4	300	ms	31,968	2,083	242-12/3-F200-300
	180	m.s.c.15	27,356	1,882	242-12/3-F175-180
6	270	ms	37,947	2,083	242-12/2-F200-270
	180	m.s.c.15	43,151	2,083	242-12/2-F200-180
	120	m.s.c.30	35,799	1,882	242-12/2-F175-120
8	270	ms	31,997	1,951	242-16/2-F175-270
	180	m.s.c.15	36,569	1,951	242-16/2-F175-180
	120	m.s.c.15	27,741	1,801	242-16/2-F150-120
12	270	ms	37,347	2,083	242-12-F200-270
	180	ms	41,710	2,083	242-12-F200-180
	120	ms	45,893	2,083	242-12-F200-120
16	90	ms	48,340	2,083	242-12-F200-90
	270	ms	31,733	1,951	242-16-F175-270
	180	ms	35,510	1,951	242-16-F175-180
24	120	ms	39,193	1,951	242-16-F175-120
	270	ms	51,566	2,083	242-12X2-F200-135/135
	180	ms	57,376	2,083	242-12X2-F200-90/90
	120	ms	62,484	2,083	242-12X2-F200-60/60

Other Motions (stops and index periods) available. Contact your IMC sales representative for more information.

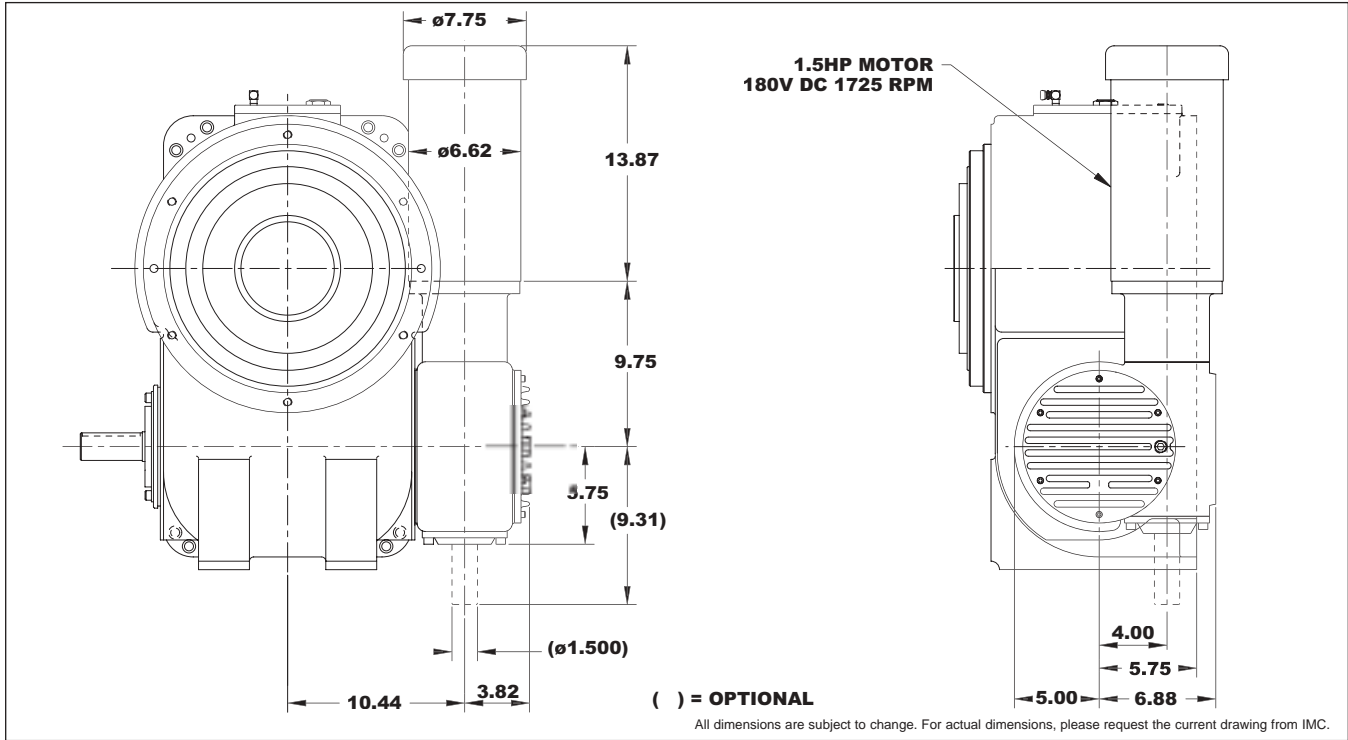
## Technical Specifications

### Output Load Capacity – loads carried during index

- Radial 6,800 lbs
- Thrust/Axial 4,700 lbs
- Moment 40,600 in.-lbs

**Accuracy** ±39 arcsec / ±.0068" at 36" Radius

**Repeatability** ±10 arcsec / ±.0017" at 36" Radius



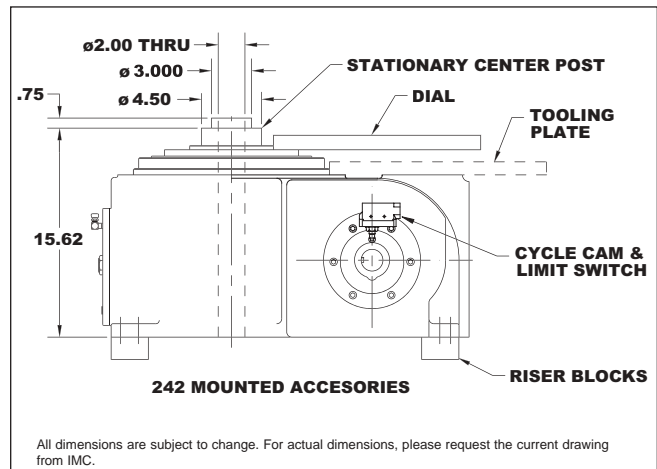
**Standard Package**

**242 Intermittor Indexer with**

- ◆ R4 Reducer (Ratios from 5:1 to 60:1)
  - Double Extended Worm Shaft (Input)
  - Motor Adapter and Coupling
- ◆ Double Extended Camshaft (Input Shaft)
- ◆ 1.5 hp DC Motor
- ◆ Varipak DC Motor Control (up to 30 cpm)
- ◆ Cycle Cam and Limit Switch Mounted to Camshaft
- ◆ Right Hand Cam

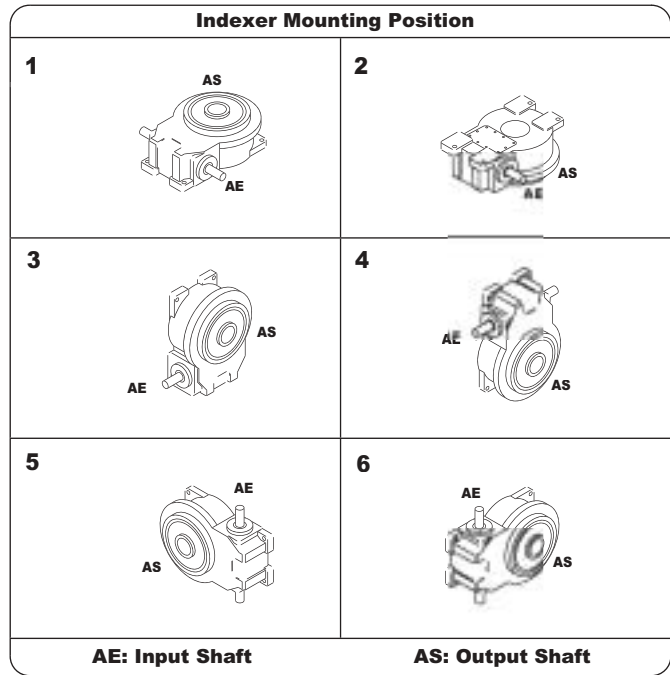
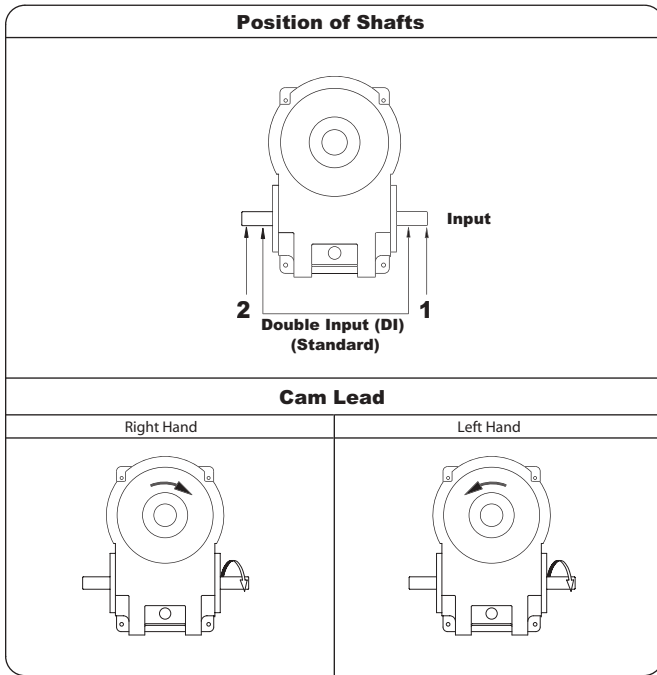
**Optional Accessories**

- ◆ 1.5 or 2 hp AC Drive Package with Inverter Duty Motor and Inverter Drive (up to 60 cpm)
- ◆ 2 hp DC motor
- ◆ R5 Reducer (Ratios from 5:1 to 60:1) with Motor Adapter and Coupling
- ◆ Center Thru Hole (2.00 in. Diameter)
- ◆ Stationary Center Post
- ◆ Dual Cam and Limit Switch
- ◆ Electric Clutch-Brake
- ◆ Air Clutch-Brake
- ◆ R4 or R5 FSC Input OLC
- ◆ Left Hand Cam
- ◆ Relief in Dwell for shot-pin applications
- ◆ Custom Dial Plate



## Indexer Ordering Procedure

1. Model
2. Input Shaft Configuration
  - ◆ Side 1
  - ◆ Side 2
  - ◆ Double Input – DI (Standard)
3. Cam Lead (Helix)
  - ◆ Right Hand (Standard)
  - ◆ Left Hand
- NOTE: Input may rotate in either direction to achieve desired direction of output rotation.
4. Indexer Mounting Position: 1-6



## Reducer Ordering Procedure

1. Model
2. Ratio
  - ◆ 5:1, 10:1, 15:1, 20:1, 25:1, 30:1, 40:1, 50:1, 60:1
3. Motor Adapter
4. Reducer Input Shaft Extension
  - ◆ Single Input (SE) or Double Input (DE)
5. Mounting
  - ◆ Mounting Position A, B, C, or D
  - ◆ Mounted on Indexer Side 1 or Side 2
6. Input Shaft Orientation
  - ◆ Left or Right (See Diagram Below)
- \* **Consult IMC for availability of this mounting**

