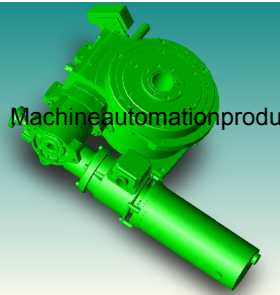
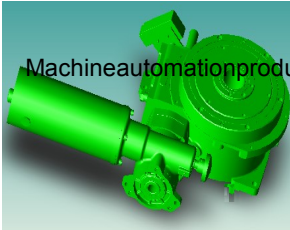
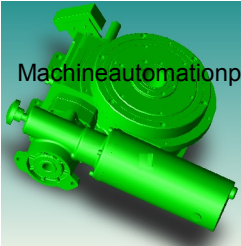
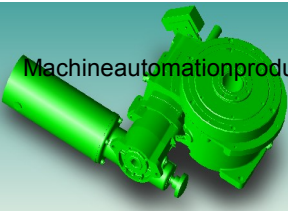
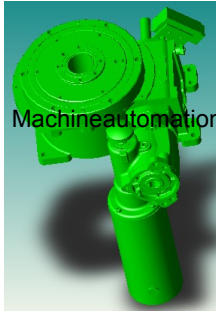
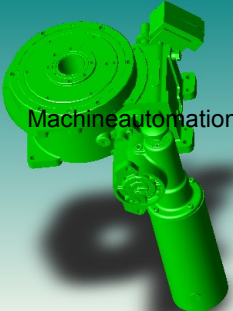
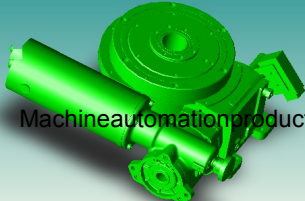
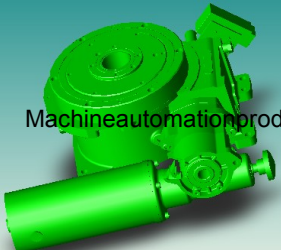
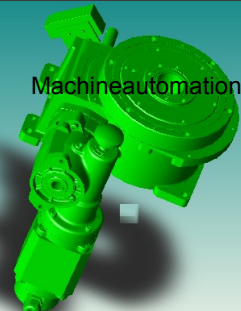
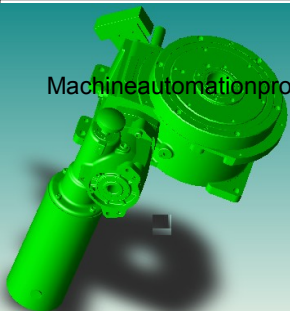
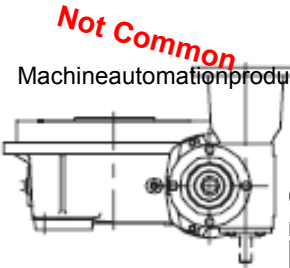
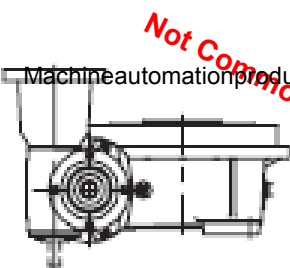
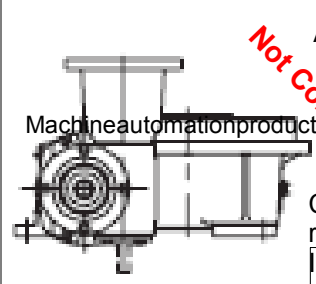
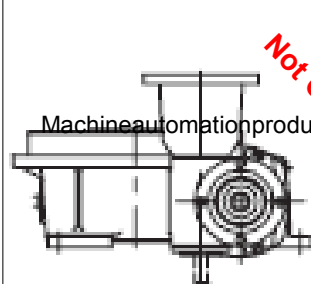
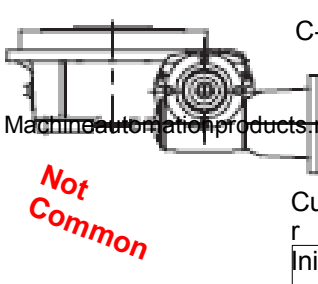
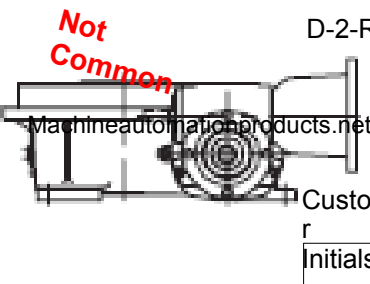


Customer: \_\_\_\_\_

Number of Stops:  Motion Time:  Dwell Time:  Weight/station:  Dial Dia  Thickness  Material  AC  DC

 <p>Machineautomationproducts.net</p> <p>C-1-LD</p> <p>Customer Initials</p>	 <p>Machineautomationproducts.net</p> <p>D-1-LD</p> <p>Customer Initials</p>	 <p>Machineautomationproducts.net</p> <p>D-1-RD</p> <p>Customer Initials</p>	 <p>Machineautomationproducts.net</p> <p>C-1-RD</p> <p>Customer Initials</p>
 <p>Machineautomationproducts.net</p> <p>A-2-LD</p> <p>Customer Initials</p>	 <p>Machineautomationproducts.net</p> <p>B-2-RD</p> <p>Customer Initials</p>	 <p>Machineautomationproducts.net</p> <p>D-2-LD</p> <p>Customer Initials</p>	 <p>Machineautomationproducts.net</p> <p>C-2-RD</p> <p>Customer Initials</p>
 <p>Machineautomationproducts.net</p> <p>A-1-RD</p> <p>Customer Initials</p>	 <p>Machineautomationproducts.net</p> <p>B-1-LD</p> <p>Customer Initials</p>	 <p>Machineautomationproducts.net</p> <p>B-2-LD</p> <p>Customer Initials</p>	 <p>Machineautomationproducts.net</p> <p>B-1-RD</p> <p>Customer Initials</p>
 <p>Machineautomationproducts.net</p> <p>A-1-LD</p> <p>Customer Initials</p>	 <p>Machineautomationproducts.net</p> <p>A-2-RD</p> <p>Customer Initials</p>	 <p>Machineautomationproducts.net</p> <p>C-2-LD</p> <p>Customer Initials</p>	 <p>Machineautomationproducts.net</p> <p>D-2-RD</p> <p>Customer Initials</p>

IMC Configuration Cheat Sheet. **Reducer Mounting Position** Pictures only show R180 but mounting configurations are the same for R225 reducers